

These indoor application connectors offer the highest grade of safety and sealing with an ingress protection of IP68 According to EN 60529 / DIN 40050. Various backshells are available, or they can be equipped with a back open synthetic cable clamp for a fast and lower-cost assembling.

General Properties

- Aluminum Plug
- Shell with bayonet-ring
- Bayonet- or threaded coupling
- Contact layouts available up to 85 contacts
- Cable cross-sections of 0.5 up to 50 mm²
- High mechanical loading capacity
- Resistant against fuels, grease and insulating oils, etc.
- Lifespan of 500 mating cycles at least
- Elastic insert for pressed in crimp contacts
- Integrated waved ring spring
- EMI (Grounding Fingers)

Permanent elastic Inserts:

- E - Ethylene acrylate**
- C - Chloroprene
- S - Silicone
- T - Thermoplastic IXEF
- V - Viton

Shell material:

- A - Aluminum Alloy**
- B - Copper Alloy
- C - Stainless Steel

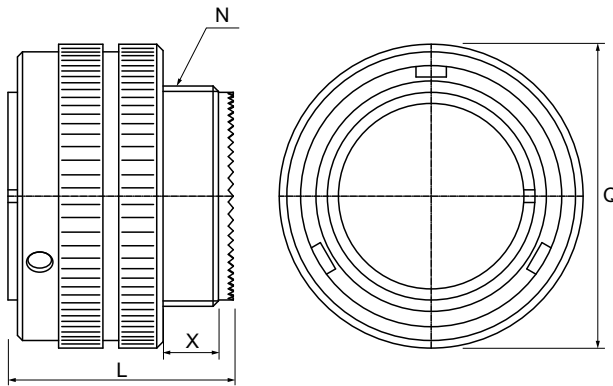
Surface treatment:

- A - Black Zinc-Cobalt**
- C - Black Polyurethane Varnished**
- E - Electro less Nickel

Inserts Temperatures

Material-Code	C	E	S	T
Material	chloroprene	ethylene acrylate*	silicone	thermoplastic
Operat. temperature	-55 to +125°C	-55 to +150°C	-55 to +180°C	-40 to +130°
Fire protection class UL	UL94 HB	UL94 V0 ¹⁾	UL94 V0	UL94 V0
Fire protection class NF	--	I3/F0 ²⁾	--	I3/F3 ²⁾

¹⁾Flame retardant, free of halogen. ²⁾NFF 16-101/102 * GIMOTA standard.



Standard bayonet connector



Connector Size	Q max.		N Thread		L max.		X	
	mm	in.			mm	in.	mm	in.
10SL	23.0	0.91	5/8"-24 UNEF 2A	U15	24.6	0.97	9.0	0.35
14SL	30.0	1.18	3/4"-20 UNEF 2A	U18	24.6	0.97	9.0	0.35
16	32.0	1.26	7/8"-20 UNEF 2A	U21	34.1	1.34	9.0	0.35
16S	32.0	1.26	7/8"-20 UNEF 2A	U21	24.6	0.97	9.0	0.35
18	37.0	1.46	1"-20 UNEF 2A	U24	36.0	1.42	09.0	0.35
20	40.0	1.57	1-1/8"-18 UNEF 2A	U27	36.0	1.42	09.0	0.35
22	44.0	1.73	1-1/4"-18 UNEF 2A	U30	36.0	1.42	09.0	0.35
24	48.0	1.89	1-3/8"-18 UNEF 2A	U34	36.0	1.42	09.0	0.35
28	54.0	2.13	1-5/8"-18 UNEF 2A	U40	36.0	1.42	09.0	0.35
32	60.0	2.36	1-7/8"-16 UN 2A	U47	38.0	1.50	10.5	0.41
36	67.0	2.64	2-1/16"-16 UN 2A	U51	38.5	1.52	11.3	0.44
40	73.0	2.87	2-5/16"-16 UN 2A	U57A	38.5	1.52	11.3	0.44

Mechanical Properties

Surface Code	A*	C*	E
Material	aluminium alloy		
Surface treatment	zinc-cobalt	epoxy-polyurethan	electroless nickel
Type of surface	passivated	varnished	--
Surface colour	black	black	blank
Thickness of surface treatment	12 – 15 µm	13 – 16 µm	12 – 15 µm
Conformity of RoHS	yes	yes	yes
Corrosion resistance ¹⁾	200 h	500 h	48 h ⁴⁾
Operating temperature	-55 to +90°C	-55 to +125°C	-55 to +125°C
Temperature shock ²⁾	-55 to +125°C	-55 to +125°C	-55 to +125°C
Electical conductivity ³⁾	< 0.5 mΩ	non conductive	< 0.5 mΩ

¹⁾Verification acc. to MIL 1344A Test 1001.1

²⁾Verification acc. to MIL 202F Method 107G

³⁾Verification acc. to MIL 1344A Test 3007

(Electrical conductivity: Screen-Plug-Receptacle-Panel)

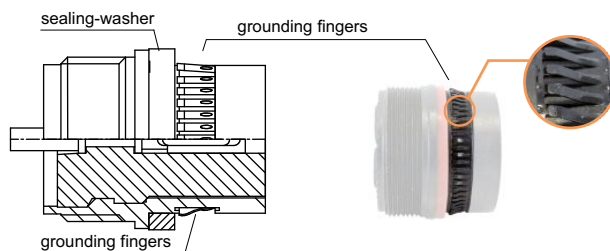
⁴⁾Only for special Aluminum-Alloy with surface free of pores

* According to GIMOTA preferences

THREAD NOMENCLATURE

UN = Basic Unified National thread series

UNEF = Unified National Extra Fine thread series



The EMI shielding of the plugs result from a grounding finger shielding system with spring contact ring, which, when plug and receptacle form a unit, guarantees an optimal 360° EMI shielding.

These outdoor application connectors offer the highest grade of safety and sealing with an ingress protection of IP68 According to EN 60529 / DIN 40050. They are equipped with a rubber-coated bayonet ring with dust protecting lip, a back shell with sealed cable clamp or with an adapter for heat shrinking hoses.

General Properties

- Aluminum Plug
- Shell with bayonet-ring
- Bayonet-or threaded coupling
- Contact layouts available up to 85 contacts
- Cable cross-sections of 0.5 up to 50 mm²
- High mechanical loading capacity
- Resistant against fuels, grease and insulating oils, etc.
- Lifespan of 500 mating cycles at least
- Elastic insert for pressed in crimp contacts
- EMI (Grounding Fingers)

Permanent elastic Inserts:

- E - Ethylene acrylate**
- C - Chloroprene
- S - Silicone
- T - Thermoplastic IXEF
- V - Viton

Shell material:

- A - Aluminum Alloy**
- B - Copper Alloy
- C - Stainless Steel

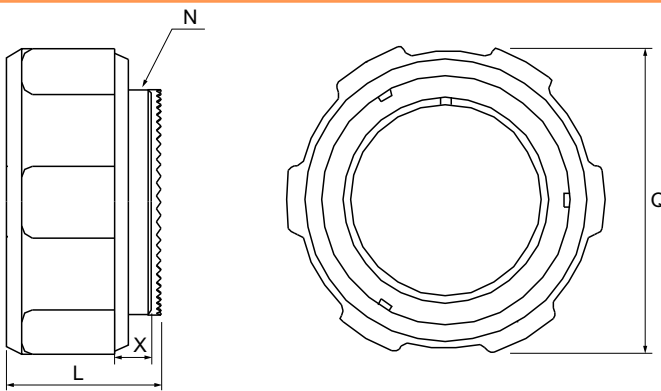
Surface treatment:

- A - Black Zinc-Cobalt**
- C - Black Polyurethane Varnished**
- E - Electro less Nickel

Inserts Temperatures

Material-Code	C	E	S	T
Material	chloroprene	ethylene acrylate*	silicone	thermoplastic
Operat. temperature	-55 to +125°C	-55 to +150°C	-55 to +180°C	-40 to +130°
Fire protection class UL	UL94 HB	UL94 V0 ¹⁾	UL94 V0	UL94 V0
Fire protection class NF	--	I3/F0 ²⁾	--	I3/F3 ²⁾

¹⁾Flame retardant, free of halogen. ²⁾NFF 16-101/102 * GIMOTA standard.



Rubber coated bayonet ring connector



Connector Size	Q max.		N Thread		L max.		X	
	mm	in.			mm	in.	mm	in.
18	48.0	1.89	1"-20 UNEF 2A	U24	36.0	1.42	09.0	0.35
24	58.0	2.28	1-3/8"-18 UNEF 2A	U34	36.0	1.42	09.0	0.35
32	76.0	2.99	1-7/8"-16 UN 2A	U47	38.0	1.50	10.5	0.41
36	78.3	3.08	2-1/16"-16 UN 2A	U51	38.5	1.52	11.3	0.44
40	84.0	3.31	2-5/16"-16 UN 2A	U57A	38.5	1.52	11.3	0.44

THREAD NOMENCLATURE

UN = Basic Unified National thread series
UNEF = Unified National Extra Fine thread series

Mechanical Properties

Surface Code	A*	C*	E
Material	aluminium alloy		
Surface treatment	zinc-cobalt	epoxy-polyurethan	electroless nickel
Type of surface	passivated	varnished	--
Surface colour	black	black	blank
Thickness of surface treatment	12 – 15 µm	13 – 16 µm	12 – 15 µm
Conformity of RoHS	yes	yes	yes
Corrosion resistance ¹⁾	200 h	500 h	48 h ⁴⁾
Operating temperature	-55 to +90°C	-55 to +125°C	-55 to +125°C
Temperature shock ²⁾	-55 to +125°C	-55 to +125°C	-55 to +125°C
Electical conductivity ³⁾	< 0.5 mΩ	non conductive	< 0.5 mΩ

¹⁾Verification acc. to MIL 1344A Test 1001.1

²⁾Verification acc. to MIL 202F Method 107G

³⁾Verification acc. to MIL 1344A Test 3007

(Electrical conductivity: Screen-Plug-Receptacle-Panel)

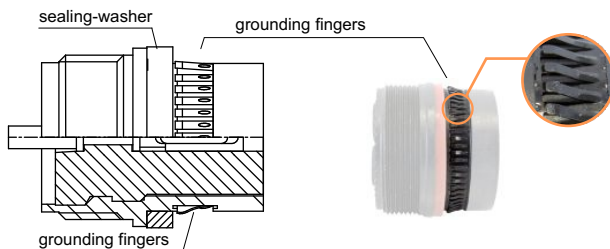
⁴⁾Only for special Aluminum-Alloy with surface free of pores

* According to GIMOTA preferences

THREAD NOMENCLATURE

UN = Basic Unified National thread series

UNEF = Unified National Extra Fine thread series



The EMI shielding of the plugs result from a grounding finger shielding system with spring contact ring, which, when plug and receptacle form a unit, guarantees an optimal 360° EMI shielding.

These outdoor application connectors offer the highest grade of safety and sealing with an ingress protection of IP68 According to EN 60529 / DIN 40050. They are equipped with a rubber-coated bayonet ring with dust protecting lip, a back shell with sealed cable clamp or with an adapter for heat shrinking hoses.

General Properties

- Aluminum Plug
- Shell with bayonet-ring
- Bayonet-or threaded coupling
- Contact layouts available up to 85 contacts
- Cable cross-sections of 0.5 up to 50 mm²
- High mechanical loading capacity
- Resistant against fuels, grease and insulating oils, etc.
- Lifespan of 500 mating cycles at least
- Elastic insert for pressed in crimp contacts
- Integrated waved ring spring
- EMI (Grounding Fingers)

Permanent elastic Inserts:

- E - Ethylene acrylate**
- C - Chloroprene
- S - Silicone
- T - Thermoplastic IXEF
- V - Viton

Shell material:

- A - Aluminum Alloy**
- B - Copper Alloy
- C - Stainless Steel

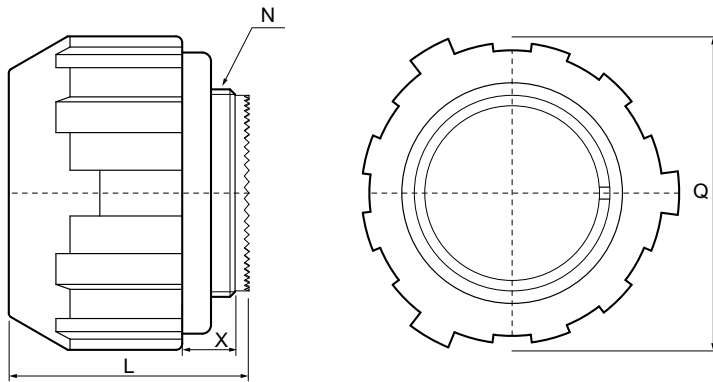
Surface treatment:

- A - Black Zinc-Cobalt**
- C - Black Polyurethane Varnished**
- E - Electro less Nickel

Inserts Temperatures

Material-Code	C	E	S	T
Material	chloroprene	ethylene acrylate*	silicone	thermoplastic
Operat. temperature	-55 to +125°C	-55 to +150°C	-55 to +180°C	-40 to +130°
Fire protection class UL	UL94 HB	UL94 V0 ¹⁾	UL94 V0	UL94 V0
Fire protection class NF	--	I3/F0 ²⁾	--	I3/F3 ²⁾

¹⁾Flame retardant, free of halogen. ²⁾NFF 16-101/102 * GIMOTA standard.



Short rubber coated bayonet ring connector



Connector Size	Q max.		N Thread	U	L max.		L max.	
	mm	in.			mm	in.	mm	in.
14S	40.2	1.58	3/4"-20 UNEF 2A	U18	24.6	0.97	9.0	0.35
18	49.0	1.93	1"-20 UNEF 2A	U24	36.0	1.42	9.0	0.35
20	51.5	2.03	1-1/8"-18 UNEF 2A	U27	36.0	1.42	9.0	0.35
22	56.0	2.20	1-1/4"-18 UNEF 2A	U30	36.0	1.42	9.0	0.35
24	60.0	2.36	1-3/8"-18 UNEF 2A	U34	36.0	1.42	9.0	0.35
28	67.0	2.64	1-5/8"-18 UNEF 2A	U40	36.0	1.42	9.0	0.35
32	76.0	2.99	1-7/8"-16 UN 2A	U47	38.0	1.50	10.5	0.41
36	82.0	3.23	2-1/16"-16 UN 2A	U51	38.5	1.52	11.3	0.44
40	88.0	3.46	2-5/16"-16 UN 2A	U57A	38.5	1.52	11.3	0.44

THREAD NOMENCLATURE

UN = Basic Unified National thread series
UNEF = Unified National Extra Fine thread series

Mechanical Properties

Surface Code	A*	C*	E
Material	aluminium alloy		
Surface treatment	zinc-cobalt	epoxy-polyurethan	electroless nickel
Type of surface	passivated	varnished	--
Surface colour	black	black	blank
Thickness of surface treatment	12 - 15 µm	13 - 16 µm	12 - 15 µm
Conformity of RoHS	yes	yes	yes
Corrosion resistance ¹⁾	200 h	500 h	48 h ⁴⁾
Operating temperature	-55 to +90°C	-55 to +125°C	-55 to +125°C
Temperature shock ²⁾	-55 to +125°C	-55 to +125°C	-55 to +125°C
Electical conductivity ³⁾	< 0.5 mΩ	non conductive	< 0.5 mΩ

¹⁾Verification acc. to MIL 1344A Test 1001.1

²⁾Verification acc. to MIL 202F Method 107G

³⁾Verification acc. to MIL 1344A Test 3007

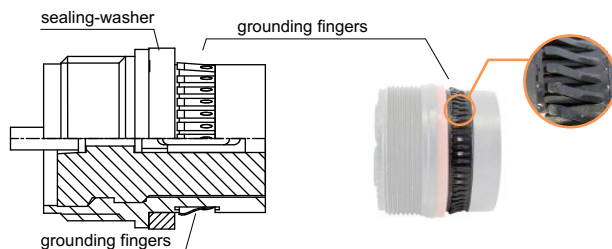
(Electrical conductivity: Screen-Plug-Receptacle-Panel)

⁴⁾Only for special Aluminum-Alloy with surface free of pores

* According to GIMOTA preferences

THREAD NOMENCLATURE

UN = Basic Unified National thread series
UNEF = Unified National Extra Fine thread series



The EMI shielding of the plugs result from a grounding finger shielding system with spring contact ring, which, when plug and receptacle form a unit, guarantees an optimal 360° EMI shielding.