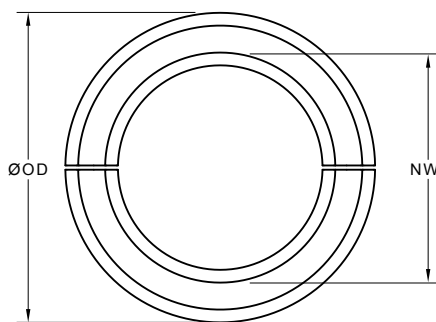


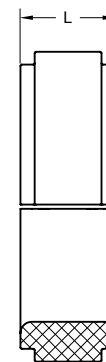


- High-grade formulated polyamide
- Self-extinguishing, free from halogens and cadmium
- Excellent impact strength
- Temperature range: -40°C(-40°F) to 105°C(221°F)
- Short-term to 160°C(320°F)

ROBOTIC		NW
KR	SR	56 29
COLOUR MATERIAL	SERIES TYPE	CONDUIT NW



SR
Strain Relief / Reducer



SS
Slide / Reducer

Specifications are subject to change without notice

Order No.	Order No.	To be used with	Fits to	ØOD		L	
			NW	mm	in	mm	in
KR-SR-5629	KR-SS-5629	KR-C-56	29	85.5	3.37	29.5	1.16
KR-SR-5636	KR-SS-5636	KR-C-56	36	85.5	3.37	29.5	1.16
KR-SR-5648	KR-SS-5648	KR-C-56	48	85.5	3.37	29.5	1.16