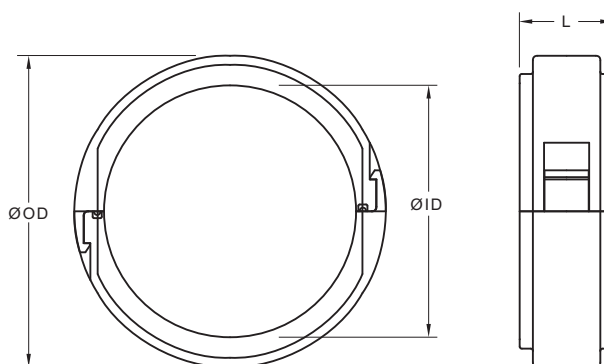
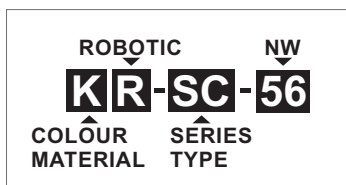




- High-grade formulated polyamide
- Self-extinguishing, free from halogens and cadmium
- Excellent impact strength
- Temperature range: -40°C(-40°F) to 105°C(221°F)
- Short-term to 160°C(320°F)
- For automation grommets RG



Specifications are subject to change without notice

Order No.	Fits to	ØOD		ØID		L	
	NW	mm	in	mm	in	mm	in
KR-SC-23	23	29.6	1.17	20.5	0.81	10.5	0.41
KR-SC-29	29	34.5	1.36	25.0	0.98	13.0	0.51
KR-SC-36	36	44.6	1.76	36.6	1.44	20.6	0.81
KR-SC-48	48	56.6	2.23	44.0	1.73	20.6	0.81
KR-SC-56	56	68.3	2.69	55.3	2.18	20.6	0.81
KR-SC-70	70	82.0	3.23	69.0	2.72	20.6	0.81