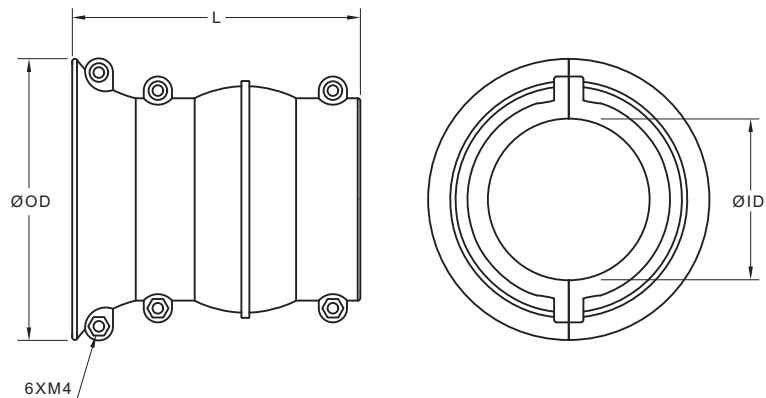
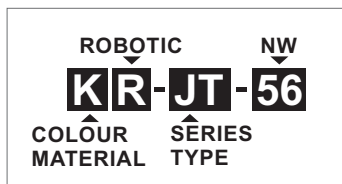




- High-grade formulated polyamide
- Self-extinguishing, free from halogens and cadmium
- Excellent impact strength
- Temperature range: -40°C(-40°F) to 105°C(221°F)
- Short-term to 160°C(320°F)
- Content of delivery: Ball Joint with assembling screws



Specifications are subject to change without notice

Order No.	Fits to	ØOD		ØID		L	
	NW	mm	in	mm	in	mm	in
KR-JT-23	23	47.5	1.87	23.5	0.93	50.0	1.97
KR-JT-29	29	55.5	2.19	29.0	1.14	60.0	2.36
KR-JT-36	36	80.5	3.17	38.0	1.50	100.5	3.96
KR-JT-48	48	92.5	3.64	49.5	1.95	103.0	4.06
KR-JT-56	56	105.6	4.16	60.7	2.39	108.2	4.26
KR-JT-70	70	118.4	4.66	74.4	2.93	132.0	5.20