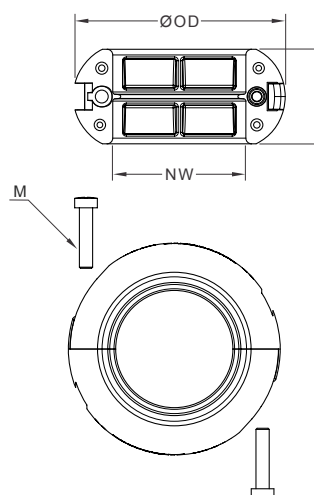
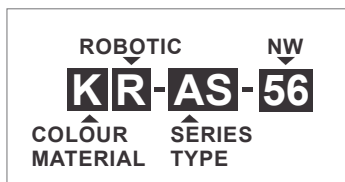




- High-grade formulated polyamide
- Self-extinguishing, free from halogens and cadmium
- Excellent impact strength
- Temperature range: -40°C(-40°F) to 105°C(221°F)
- Short-term to 160°C(320°F)
- Increasing life time of moving conduits
- Excellent chafing resistance
- Fit all conduit profiles
- Safety screws made of stainless steel AISI 304
- Sizes 56 and 70 can be used as splice connectors for conduits extension with no loss of usable cross section



Specifications are subject to change without notice

Order No.	Fits to	Trade Size		ØOD		L		M
	NW	mm	in	mm	in	mm	in	mm
KR-AS-17	17	25	1/2	44.0	1.73	22.0	0.87	3.5 x 18
KR-AS-23	23	32	3/4	50.0	1.97	25.0	0.98	3.5 x 18
KR-AS-29	29	32	1	56.0	2.20	25.0	0.98	3.5 x 18
KR-AS-36	36	40	1-1/4	69.0	2.72	30.0	1.18	3.5 x 18
KR-AS-48	48	50	1-1/2	78.0	3.07	30.0	1.18	3.5 x 18
KR-AS-56	56	68	2	100.0	3.94	52.0	2.05	3.5 x 18
KR-AS-70	70	80	2-1/2-3	114.0	4.49	60.0	2.36	3.5 x 18