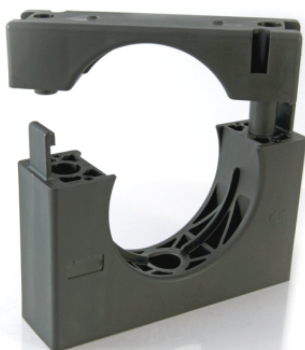
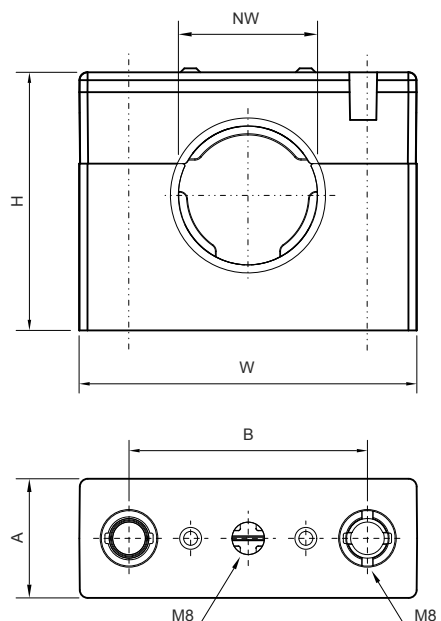
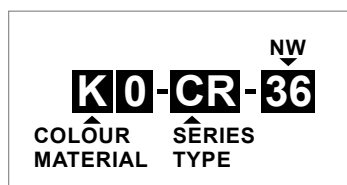


TEAFLEX



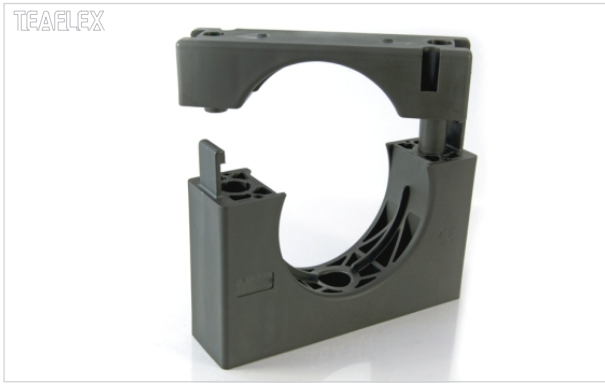
- High-grade formulated polyamide
- Self-extinguishing, free from halogens and cadmium
- Excellent impact strength
- Temperature range: -40°C(-40°F) to 105°C(221°F)
- Short-term to 160°C(320°F)



Specifications are subject to change without notice

Order No.	fits to	A		B		H		W		Traction test between body & cover	
	NW	mm	in	mm	in	mm	in	mm	in	with screws	without screws
K0-CR-17	17	30.0	1.18	45.0	1.77	50.0	1.97	70.0	2.76	N 3215	N 323
K0-CR-23	23	30.0	1.18	45.0	1.77	50.0	1.97	70.0	2.76	N 2100	N 255
K0-CR-29	29	30.0	1.18	60.0	2.36	65.0	2.56	85.0	3.35	N 2500	N 305
K0-CR-36	36	30.0	1.18	60.0	2.36	65.0	2.56	85.0	3.35	N 2420	N 385
K0-CR-48	48	30.0	1.18	90.0	3.54	92.0	3.62	115.0	4.53	N 2148	N 272
K0-CR-56	56	30.0	1.18	90.0	3.54	92.0	3.62	115.0	4.53	N 2068	N 367

TEAFLEX



MOUNTING POSSIBILITIES

Due to the numerous stacking possibilities MOLTEC does not offer the accessories such as c-rails, sliding blocks or screws in their standard range.

