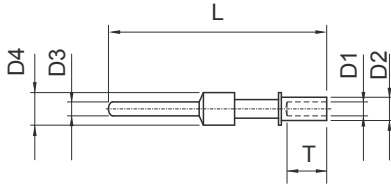
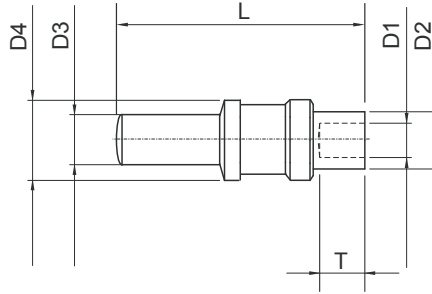


The given cross sections and AWG sizes are reference values and based on market available wires and conductors that have been pressed with gimota-crimping tools. Individual qualification testing by the user is recommended.

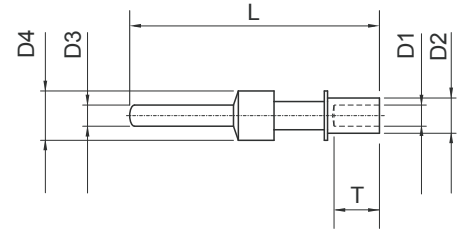
Material of contacts: **Cu-Alloy** Surface of contacts*: **AU** = gold plated: min. 0.5 µm over 2.5 µm Ni **AG** = silver plated: min. 3.5 µm



Pin contacts size 12 to 16



Pin contacts size 0 to 4



Pin contacts size 8

0* 8H [Lamella-contacts] for higher current.

1 Depending on AWG cable/wire construction.

* For Silver plated Contacts replace AU with AG

Contact size	Conductor mm ²	Conductor AWG	Stripping	Stripping inches	D1 ± 0.05	D1 inches	D2 ± 0.1	D2 inches	D3 ± 0.05	D3 inches	D4 ± 0.1	D4 inches	T ± 0.5	T inches	L ± 1.0	L inches	Pin Contacts Part Number
0	16	3-4*	17.0	0.669	6.2	0.276	9.3	0.366	9.0	0.354	15.0	0.590	16.0	0.630	50.0	1.968	10-660-0-162G62
0	25	1-2*	18.0	0.708	7.6	0.350	11.7	0.461	9.0	0.354	15.0	0.590	17.0	0.669	51.0	2.007	10-660-0-252G76
0	16	3-4*	17.0	0.669	7.0	0.276	9.3	0.366	9.0	0.354	15.0	0.590	16.0	0.630	50.0	1.968	10-660-0-162G10
0	25	1-2*	18.0	0.708	8.9	0.350	11.7	0.461	9.0	0.354	15.0	0.590	17.0	0.669	51.0	2.007	10-660-0-252G10
0	35	0	19.0	0.748	10.0	0.394	13.0	0.512	9.0	0.354	15.0	0.590	18.0	0.708	52.0	2.047	10-660-0-352G10
0	50	00	22.0	0.866	11.3	0.445	14.6	0.575	9.0	0.354	15.0	0.590	20.5	0.807	55.0	2.165	10-660-0-502G10
4	6	8	13.0	0.512	3.6	0.142	5.2	0.205	5.7	0.224	11.0	0.433	8.5	0.335	41.0	1.614	10-660-4-6G10
4	10	6	13.0	0.512	4.6	0.181	6.5	0.256	5.7	0.224	11.0	0.433	12.2	0.480	41.0	1.614	10-660-4-10G10
4	16	3-4*	13.0	0.512	7.0	0.276	9.3	0.366	5.7	0.224	11.0	0.433	12.2	0.480	41.0	1.732	10-660-4-16G10
8	10	6-8*	13.0	0.512	5.0	0.197	7.0	0.276	3.6	0.142	7.8	0.307	12.2	0.480	41.0	1.614	10-40792-50 AU*
8H	1.5	16	9.0	0.354	1.75	0.069	4.00	0.157	3.6	0.142	7.8	0.307	8.5	0.335	41.0	1.614	10-40794-18 AG
8H	2.5	12	9.0	0.354	2.30	0.091	4.00	0.157	3.6	0.142	7.8	0.307	8.5	0.335	41.0	1.614	10-40794-22 AG
8H	6	10	9.0	0.354	3.55	0.140	5.00	0.197	3.6	0.142	7.8	0.307	8.5	0.335	41.0	1.614	10-40794-38 AG
8H	10	6	13.0	0.512	4.60	0.181	6.35	0.250	3.6	0.142	7.8	0.307	12.2	0.480	41.0	1.614	10-40794-50 AG
12	0.5	20-22	9.0	0.354	1.10	0.043	3.00	0.118	2.4	0.094	4.8	0.189	8.5	0.335	38.0	1.496	10-40561-11 AU*
12	0.75-1.0	18-22	9.0	0.354	1.45	0.057	3.35	0.132	2.4	0.094	4.8	0.189	8.5	0.335	38.0	1.496	10-40561-15 AU*
12	1.5	16-18	9.0	0.354	1.75	0.069	3.95	0.155	2.4	0.094	4.8	0.189	8.5	0.335	38.0	1.496	10-40561-18 AU*
12	2.5	14	9.0	0.354	2.25	0.089	3.95	0.155	2.4	0.094	4.8	0.189	8.5	0.335	38.0	1.496	10-40561-22 AU*
12	4	10-12	9.0	0.354	2.95	0.116	4.75	0.187	2.4	0.094	4.8	0.189	8.5	0.335	38.0	1.496	10-40561-30 AU*
12	6	10	9.0	0.354	3.50	0.138	4.75	0.187	2.4	0.094	4.8	0.189	8.5	0.335	38.0	1.496	10-40561-38 AU*
16	0.5	20-22	7.0	0.276	1.10	0.043	2.15	0.085	1.6	0.063	3.1	0.122	6.4	0.252	32.0	1.260	10-40557-05 AU*
16	0.75	18	7.0	0.276	1.35	0.053	2.20	0.087	1.6	0.063	3.1	0.122	6.4	0.252	32.0	1.260	10-40557-075 AU*
16	1.0	16	7.0	0.276	1.75	0.069	2.62	0.103	1.6	0.063	3.1	0.122	6.4	0.252	32.0	1.260	10-40557 AU*
16	1.5	-	7.0	0.276	1.80	0.071	2.90	0.114	1.6	0.063	3.1	0.122	6.4	0.252	32.0	1.260	10-40557-20-1 AU*
16S	0.5	20-22	7.0	0.276	1.10	0.043	2.15	0.085	1.6	0.063	3.1	0.122	6.4	0.252	27.0	1.063	10-40553-05 AU
16S	0.75-1.5	16	7.0	0.276	1.75	0.069	2.62	0.103	1.6	0.063	3.1	0.122	6.4	0.252	27.0	1.063	10-40553 AU

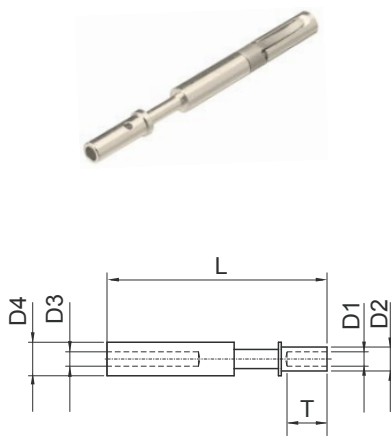
Electrical Properties

Size of Contacts		0*	0	4	8	8H	12	16/16S
Nominal current	continuous [A]	200	150	80	46	46	23	13
Maximal current	short-term [A]	300	245	135	73	73	41	22
Test current	[A]	200	200	110	60	60	35	20
Contact resistance ¹⁾	[mΩ]		<0.2	<0.5	<1.0	<1.0	<3.0	<6.0

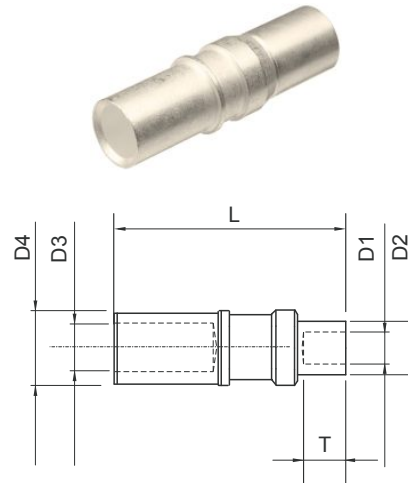
1) Verification acc. to VG95234 / 2 / Test 5.10.1 and VG95210 / 37
0* Lamella contact

The given cross sections and AWG sizes are reference values and based on market available wires and conductors that have been pressed with gimota-crimping tools. Individual qualification testing by the user is recommended.

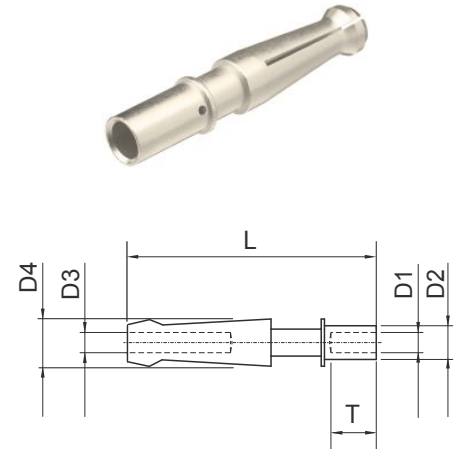
Material of contacts: **Cu-Alloy** Surface of contacts*: **AU** = gold plated: min. 0.5 µm over 2.5 µm Ni **AG** = silver plated: min. 3.5 µm



Socket contacts size 12 to 16



Socket contacts size 0 to 4



Socket contacts size 8

0* 8H [Lamella-contacts] for higher current.

1 Depending on AWG cable/wire construction.

* For Silver plated Contacts replace AU with AG

Contact size	Conductor mm ²	Conductor AWG	Stripping	Stripping inches	D1 ± 0.05	D1 inches	D2 ± 0.1	D2 inches	D3 ± 0.05	D3 inches	D4 ± 0.1	D4 inches	T ± 0.5	T inches	L ± 1.0	L inches	Socket Contacts Part Number
0*	16	4-3 ¹	17.0	0.669	7.0	0.276	9.3	0.366	9.0	0.354	15.0	0.591	16.0	0.630	50.0	1.969	10-905-0-162G10
0*	16	-	17.0	0.669	6.2	0.244	9.3	0.366	9.0	0.354	15.0	0.591	16.0	0.630	50.0	1.969	10-905-0-162G 62
0*	25	2-1 ¹	18.0	0.709	8.9	0.350	11.7	0.461	9.0	0.354	15.0	0.591	17.0	0.669	51.0	2.008	10-905-0-252G10
0*	25	-	18.0	0.709	7.6	0.299	11.7	0.461	9.0	0.354	15.0	0.591	17.0	0.669	51.0	2.008	10-905-0-252G 76
0*	35	0	19.0	0.748	10.0	0.394	13.0	0.512	9.0	0.354	15.0	0.591	18.0	0.709	52.0	2.047	10-905-0-352G10
0*	50	00	22.0	0.866	10.5	0.413	14.6	0.575	9.0	0.354	15.0	0.591	20.5	0.807	55.0	2.165	10-905-0-502G10
0	16	-	17.0	0.669	6.2	0.244	9.3	0.366	9.0	0.354	15.0	0.591	16.0	0.630	48.0	1.890	10-903-0-162G 62
0	25	-	18.0	0.709	7.6	0.299	11.7	0.461	9.0	0.354	15.0	0.591	17.0	0.669	49.0	1.929	10-903-0-252G 76
0	35	0	19.0	0.748	8.9	0.350	13.0	0.512	9.0	0.354	15.0	0.591	18.0	0.709	52.0	2.047	10-903-0-352G89
0	50	00	22.0	0.866	10.5	0.413	14.6	0.575	9.0	0.354	15.0	0.591	20.5	0.807	53.0	2.087	10-903-0-502G10
4	6	8	9.0	0.354	3.60	0.142	5.20	0.205	5.7	0.224	11.0	0.433	8.5	0.335	41.0	1.614	10-903-4-6G10
4	10	6	13.0	0.512	4.60	0.181	6.50	0.256	5.7	0.224	11.0	0.433	12.2	0.480	41.0	1.614	10-903-4-10G10
4	16	4-3 ¹	13.0	0.512	7.00	0.276	9.30	0.366	5.7	0.224	11.0	0.433	12.2	0.480	41.0	1.614	10-903-4-16G 10
4	16	-	13.0	0.512	6.20	0.244	9.30	0.366	5.7	0.224	11.0	0.433	12.2	0.480	41.0	1.614	10-903-4-16G 62
8H	1.5	16	9.0	0.354	1.80	0.071	4.00	0.157	3.6	0.142	7.8	0.307	8.5	0.335	38.0	1.496	10-40796-18AG
8H	2.5	12/14	9.0	0.354	2.30	0.091	4.00	0.157	3.6	0.142	7.8	0.307	8.5	0.335	38.0	1.496	10-40796-22AG
8H	6	10	9.0	0.354	3.60	0.142	5.00	0.197	3.6	0.142	7.8	0.307	8.5	0.335	38.0	1.496	10-40796-38AG
8H	10	6/8	13.0	0.512	4.60	0.181	6.40	0.252	3.6	0.142	7.8	0.307	12.2	0.480	38.0	1.496	10-40796-50AG
12	0.5	22-20	9.0	0.354	1.10	0.043	3.00	0.118	2.4	0.094	4.8	0.189	8.5	0.335	38.0	1.496	10-40560-11AU*
12	0.75-1.0	22-18	9.0	0.354	1.50	0.059	3.40	0.134	2.4	0.094	4.8	0.189	8.5	0.335	38.0	1.496	10-40560-15AU*
12	1.5	18-16	9.0	0.354	1.80	0.071	4.00	0.157	2.4	0.094	4.8	0.189	8.5	0.335	38.0	1.496	10-40560-18AU*
12	2.5	14	9.0	0.354	2.30	0.091	4.00	0.157	2.4	0.094	4.8	0.189	8.5	0.335	38.0	1.496	10-40560-22AU*
12	4	12-10	9.0	0.354	3.00	0.118	4.80	0.189	2.4	0.094	4.8	0.189	8.5	0.335	38.0	1.496	10-40560-30AU*
12	6	10	9.0	0.354	3.50	0.138	4.80	0.189	2.4	0.094	4.8	0.189	8.5	0.335	38.0	1.496	10-40560-38AU*
16	0.25-0.5	22-20	7.0	0.276	1.10	0.043	2.20	0.087	1.6	0.063	3.1	0.122	6.4	0.252	37.0	1.457	10-40556-05AU*
16	0.75	18	7.0	0.276	1.40	0.055	2.20	0.087	1.6	0.063	3.1	0.122	6.4	0.252	37.0	1.457	10-40556-075AU*
16	1	16	7.0	0.276	1.80	0.071	2.60	0.102	1.6	0.063	3.1	0.122	6.4	0.252	37.0	1.457	10-40556AU*
16	1.5	-	7.0	0.276	1.80	0.071	2.90	0.114	1.6	0.063	3.1	0.122	6.4	0.252	37.0	1.457	10-40556-20-1AU*
16S	0.25-0.5	22-20	7.0	0.276	1.10	0.043	2.20	0.087	1.6	0.063	3.1	0.122	6.4	0.252	27.0	1.063	10-40552-05AU
16S	0.75-1.5	16	7.0	0.276	1.80	0.071	2.60	0.102	1.6	0.063	3.1	0.122	6.4	0.252	27.0	1.063	10-40552AU

Electrical Properties

Size of Contacts		0*	0	4	8	8H	12	16/16S
Nominal current	continuous [A]	200	150	80	46	46	23	13
Maximal current	short-term [A]	300	245	135	73	73	41	22
Test current	[A]	200	200	110	60	60	35	20
Contact resistance ¹⁾	[mΩ]	<0.2	<0.5	<1.0	<1.0	<3.0	<6.0	

1) Verification acc. to VG95234 / 2 / Test 5.10.1 and VG95210 / 37
0* Lamella contact