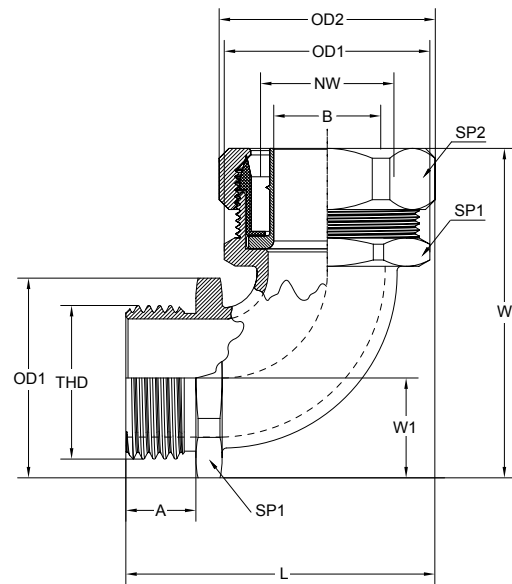
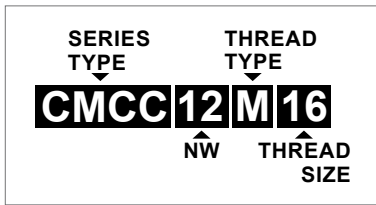


TEAFLEX



- For conduits type:
L, P, DAR, SVT, T/TP, LPU, DAPU & SVPEVAT
- Nickel-plated brass
- Temperature range: -40°C(-40°F) to 105°C(221°F)
- File E-124066
- Up to IP67



Specifications are subject to change without notice

METAL THREAD

Order No.	THD.	Order No.	THD.	Conduit NW	A		B		L		OD1		OD2		SP1		SP2		W		W1	
	PG		Metric		mm	in	mm	in	mm	in	mm	in	mm	in	mm	in	mm	in	mm	in	mm	in
CMCCP09PG09	9	CMCC09M12	M12x1.5	9	11.0	0.43	7.0	0.28	44.0	1.73	24.0	0.94	24.5	0.96	22.0	0.87	22.0	0.87	52.0	2.05	12.0	0.47
		CMCC09M16	M16x1.5	9	11.0	0.43	7.0	0.28	44.0	1.73	24.0	0.94	24.5	0.96	22.0	0.87	22.0	0.87	52.0	2.05	12.0	0.47
CMCCP10PG09	9	CMCC10M12	M12x1.5	10	11.0	0.43	8.5	0.33	44.0	1.73	24.0	0.94	26.0	1.02	22.0	0.87	24.0	0.94	52.0	2.05	12.0	0.47
CMCCP10PG11	11	CMCC10M16	M16x1.5	10	11.0	0.43	8.5	0.33	44.0	1.73	24.0	0.94	26.0	1.02	22.0	0.87	24.0	0.94	52.0	2.05	12.0	0.47
CMCCP12PG11	11	CMCC12M16	M16x1.5	12	12.0	0.47	10.5	0.41	45.0	1.77	28.0	1.10	29.0	1.14	26.0	1.02	26.0	1.02	54.0	2.13	14.0	0.55
CMCCP12PG13	13.5	CMCC12M20	M20x1.5	12	12.0	0.47	10.5	0.41	45.0	1.77	28.0	1.10	29.0	1.14	26.0	1.02	26.0	1.02	54.0	2.13	14.0	0.55
CMCCP15PG13	13.5	CMCC15M20	M20x1.5	15	12.0	0.47	13.8	0.54	50.0	1.97	30.0	1.18	33.0	1.30	28.0	1.10	30.0	1.18	54.0	2.13	15.0	0.59
CMCCP15PG16	16			15	12.0	0.47	13.8	0.54	50.0	1.97	30.0	1.18	33.0	1.30	28.0	1.10	30.0	1.18	54.0	2.13	15.0	0.59
CMCCP20PG21	21	CMCC20M25	M25x1.5	20	13.0	0.51	18.5	0.73	60.0	2.36	39.0	1.54	42.5	1.67	35.0	1.38	38.0	1.50	69.0	2.72	19.5	0.77
		CMCC25M32	M32x1.5	25	16.0	0.63	23.0	0.91	70.0	2.76	47.0	1.85	46.5	1.83	42.0	1.65	42.0	1.65	79.0	3.11	23.5	0.93
		CMCC27M32	M32x1.5	27	16.0	0.63	25.0	0.98	72.0	2.83	47.0	1.85	49.5	1.95	42.0	1.65	45.0	1.77	79.0	3.11	23.5	0.93