

Shell material:

- A - Aluminum Alloy
- B - Copper Alloy
- C - Stainless Steel

Surface treatment:

- A - Black Zinc-Cobalt
- C - Black Polyurethane Varnished
- E - Electro less Nickel

Mechanical Properties

Surface Code	A*	C*	E
Material	aluminium alloy		
Surface treatment	zinc-cobalt	epoxy-polyurethan	electroless nickel
Type of surface	passivated	varnished	–
Surface colour	black	black	blank
Thickness of surface treatment	12 –15 µm	13 –16 µm	12 –15 µm
Conformity of RoHS	yes	yes	yes
Corrosion resistance ¹⁾	200 h	500 h	48 h ⁴⁾
Operating temperature	-55 to +90°C	-55 to +125°C	-55 to +125°C
Temperature shock ²⁾	-55 to +125°C	-55 to +125°C	-55 to +125°C
Electical conductivity ³⁾	< 0.5 mΩ	non conductive	< 0.5 mΩ

THREAD NOMENCLATURE

- UN = Basic Unified National thread series
- UNS = Special Unified National thread series
- UNEF = Unified National Extra Fine thread series

¹⁾Verification acc. to MIL 1344A Test 1001.1 ²⁾Verification acc. to MIL 202F Method 107G
³⁾Verification acc. to MIL 1344A Test 3007 (Electrical conductivity: Screen-Plug-Receptacle-Panel)
⁴⁾Only for special Aluminum-Alloy with surface free of pores * According to GIMOTA preferences

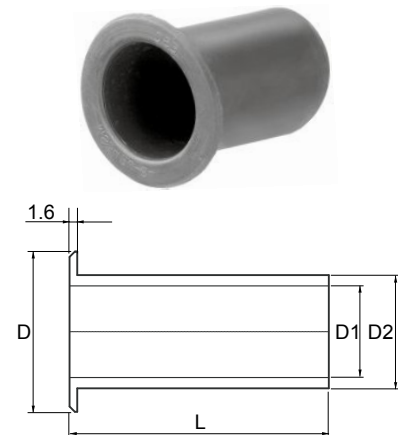
Order Number	Size	N Thread (Inches)	D max.		H max.		L max.		L1 max.	
			mm	in.	mm	in.	mm	in.	mm	in.
CA10-AC	10	5/8"-24 UNEF 2B	8.0	0.31	23.0	0.91	20.8	0.82	10.5	0.41
CA14-AC	14	3/4"-20 UNEF 2B	11.0	0.43	28.0	1.10	22.4	0.88	10.5	0.41
CA16-AC	16	7/8"-20 UNEF 2B	14.2	0.56	29.0	1.14	24.0	0.94	10.5	0.41
CA18-AC	18	1"-20 UNEF 2B	15.8	0.62	33.0	1.30	28.5	1.12	10.5	0.41
CA20-AC	20+22	1-3/16"-18 UNEF 2B	19.0	0.75	37.0	1.46	24.0	0.94	10.5	0.41
CA24-AC	24+28	1-7/16"-18 UNEF 2B	23.8	0.94	44.0	1.73	26.4	1.04	10.5	0.41
CA32-AC	32	1-3/4"-18 UNS 2B	31.7	1.25	54.0	2.13	28.0	1.10	12.5	0.49
CA36-AC	36	2"-18 UNS 2B	35.0	1.38	58.0	2.28	29.4	1.16	14.0	0.55
CA40-AC	40	2-1/4"-18 UN 2B	41.2	1.62	64.0	2.52	42.8	1.68	14.0	0.55

Cable Clamp A



Order Number	Size	D		D1		D2		L	
		mm	in.	mm	in.	mm	in.	mm	in.
MS3420-04	10	12.8	0.50	7.7	0.30	5.6	0.22	69	2.72
MS3420-06	14	15.7	0.62	10.8	0.43	7.9	0.31	66	2.60
MS3420-08	16	18.8	0.74	14.0	0.55	11.1	0.44	63	2.48
MS3420-10	18	22.5	0.89	15.6	0.61	14.3	0.56	60	2.36
MS3420-12	20+22	27.5	1.08	18.8	0.74	15.9	0.63	57	2.24
MS3420-16	24+28	33.3	1.31	23.5	0.92	19.1	0.75	53	2.09
MS3420-20	32	40.5	1.59	31.5	1.24	23.8	0.94	50	1.97
MS3420-24	36	46.9	1.85	34.7	1.37	31.8	1.25	47	1.85
MS3420-28	40	52.9	2.08	41.0	1.61	34.9	1.37	44	1.73

MS3420 Chloroprene Bushing



Shell material:

- A - Aluminum Alloy
- B - Copper Alloy
- C - Stainless Steel

Surface treatment:

- A - Black Zinc-Cobalt
- C - Black Polyurethane Varnished
- E - Electro less Nickel

Mechanical Properties

Surface Code	A*	C*	E
Material	aluminium alloy		
Surface treatment	zinc-cobalt	epoxy-polyurethan	electroless nickel
Type of surface	passivated	varnished	—
Surface colour	black	black	blank
Thickness of surface treatment	12 –15 µm	13 –16 µm	12 –15 µm
Conformity of RoHS	yes	yes	yes
Corrosion resistance ¹⁾	200 h	500 h	48 h ⁴⁾
Operating temperature	-55 to +90°C	-55 to +125°C	-55 to +125°C
Temperature shock ²⁾	-55 to +125°C	-55 to +125°C	-55 to +125°C
Electical conductivity ³⁾	< 0.5 mΩ	non conductive	< 0.5 mΩ

THREAD NOMENCLATURE

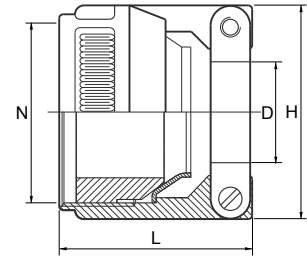
- UN = Basic Unified National thread series
- UNS = Special Unified National thread series
- UNEF = Unified National Extra Fine thread series

¹⁾Verification acc. to MIL 1344A Test 1001.1 ²⁾Verification acc. to MIL 202F Method 107G

³⁾Verification acc. to MIL 1344A Test 3007 (Electrical conductivity: Screen-Plug-Receptacle-Panel)

⁴⁾Only for special Aluminum-Alloy with surface free of pores * According to GIMOTA preferences

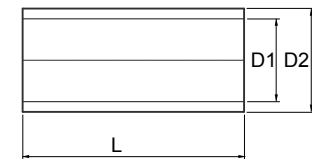
Cable Clamp C



Order Number	Size	N Thread (Inches)	Bushing Ø				H max.		L max.	
			D open		D Closed		mm	in.	mm	in.
			mm	in.	mm	in.				
CC10-AC	10	5/8"-24 UNEF 2B	9.0	0.35	3.0	0.12	23.0	0.91	34.0	1.34
CC14-AC	14	3/4"-20 UNEF 2B	11.0	0.43	7.0	0.28	26.0	1.02	34.0	1.34
CC16-AC	16	7/8"-20 UNEF 2B	13.0	0.51	10.0	0.39	29.0	1.14	34.0	1.34
CC18-AC	18	1"-20 UNEF 2B	16.0	0.63	11.0	0.43	32.0	1.26	36.0	1.42
CC20-AC	20+22	1-3/16"-18 UNEF 2B	19.0	0.75	13.0	0.51	38.0	1.50	36.0	1.42
CC24-AC	24+28	1-7/16"-18 UNEF 2B	24.0	0.94	17.0	0.67	44.0	1.73	39.0	1.54
CC32-AC	32	1-3/4"-18 UNS 2B	32.0	1.26	25.0	0.98	54.0	2.13	45.0	1.77
CC36-AC	36	2"-18 UNS 2B	35.0	1.38	27.0	1.06	58.0	2.28	53.0	2.09
CC40-AC	40	2-1/4"-18 UN 2B	41.0	1.61	32.0	1.26	64.0	2.52	53.0	2.09

Order Number	Size	Cable Ø		Cable Ø		Bushing Ø		Bushing Ø		L1 ^{±1}	Bushing Size			
		open		closes		D1		D2			First	Second	Third	
		mm	in.	mm	in.	mm	in.	mm	in.					
MS3420-4A	10	5.6	0.22	0.3	0.01	7.8	0.31	5.6	0.22	50.8	2.00	4A	—	—
MS3420-6A	14	7.9	0.31	2.9	0.11	11.0	0.43	7.9	0.31	50.8	2.00	6A	—	—
MS3420-4A		5.6	0.22	0.5	0.02	7.8	0.31	5.6	0.22	50.8	2.00	—	4A	—
MS3420-8A	16	11.1	0.44	5.6	0.22	13.6	0.54	11.1	0.44	50.8	2.00	8A	—	—
MS3420-6A		7.9	0.31	2.2	0.09	11.0	0.43	07.9	0.31	50.8	2.00	—	6A	—
MS3420-10A	18	11.1	0.44	5.0	0.20	15.8	0.62	11.1	0.44	50.8	2.00	10A	—	—
MS3420-6A		7.9	0.31	2.2	0.09	11.0	0.43	07.9	0.31	50.8	2.00	—	6A	—
MS3420-12A	20+22	13.7	0.54	6.9	0.27	18.9	0.74	13.7	0.54	50.8	2.00	12A	—	—
MS3420-8A		11.1	0.44	4.5	0.18	13.6	0.54	11.1	0.44	50.8	2.00	—	8A	—
MS3420-16A	24+28	19.0	0.75	10.9	0.43	23.7	0.93	19.0	0.75	50.8	2.00	16A	—	—
MS3420-12A		13.7	0.54	6.6	0.26	18.9	0.74	13.7	0.54	50.8	2.00	—	12A	—
MS3420-8A		11.1	0.44	4.7	0.18	13.6	0.54	11.1	0.44	50.8	2.00	—	—	8A
MS3420-20A	32	23.8	0.94	15.7	0.62	31.6	1.24	23.8	0.94	50.8	2.00	20A	—	—
MS3420-16A		19.0	0.75	11.2	0.44	23.7	0.93	19.0	0.75	50.8	2.00	—	16A	—
MS3420-12A		13.7	0.54	6.9	0.27	18.9	0.74	13.7	0.54	50.8	2.00	—	—	12A
MS3420-24A	36	28.8	1.13	17.3	0.68	35.0	1.38	28.5	1.12	50.8	2.00	24A	—	—
MS3420-18A		23.8	0.94	12.8	0.50	31.6	1.24	23.8	0.94	50.8	2.00	—	18A	—
MS3420-16A		19.0	0.75	9.1	0.36	23.7	0.93	19.0	0.75	50.8	2.00	—	—	16A
MS3420-28A	40	31.8	1.25	20.7	0.81	41.1	1.62	31.8	1.25	50.8	2.00	28A	—	—
MS3420-20A		23.8	0.94	13.0	0.51	31.6	1.24	23.8	0.94	50.8	2.00	—	20A	—
MS3420-16A		19.0	0.75	9.3	0.37	23.7	0.93	19.0	0.75	50.8	2.00	—	—	16A

MS3420-A Chloroprene Bushing



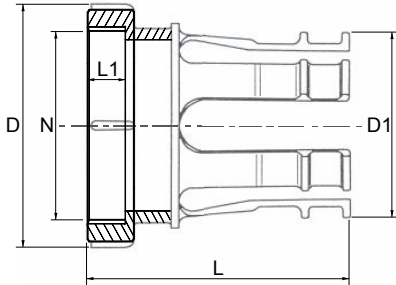
Material: polyamide 66 (PA66) **Fire protection class:** UL94-V0 free of halogens

THREAD NOMENCLATURE

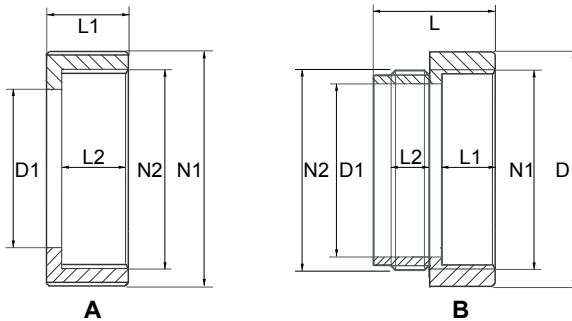
UN = Basic Unified National thread series

UNEF = Unified National Extra Fine thread series

Synthetic Cable Clamp



Order Number	Size	Intermediate Ring	N Thread (Inches)	D		Cable Bundle D1 min.		Cable Bundle D1 max.		L		L1	
				mm	in.	mm	in.	mm	in.	mm	in.	mm	in.
10-350349K-2432	24	24/32	1-3/8"-18 UNEF 2B	54.0	2.13	15.0	0.59	31.0	1.22	57.0	2.24	9.0	0.35
10-350349K-323	32	without	1-7/8"-16 UN 2B	54.0	2.13	15.0	0.59	34.0	1.34	57.0	2.24	9.0	0.35
10-350349K-3640	36	36/40	2-1/16"-16 UN 2B	66.0	2.60	15.0	0.59	40.0	1.57	70.0	2.76	10.5	0.41
10-350349K-403	40	without	2-5/16"-16 UN 2B	66.0	2.60	15.0	0.59	42.0	1.65	70.0	2.76	10.5	0.41
10-350349K-4040	40L	40/40	2-5/16"-16 UN 2B	66.0	2.60	15.0	0.59	42.0	1.65	85.0	3.35	10.5	0.41



Reduction & Intermediate Rings



Order Number	Size	Cable Clamp Size	N1 Thread (Inches)	N2 Thread (Inches)	D		D1		L		L1		L2		Fig.
					mm	in.	mm	in.	mm	in.	mm	in.	mm	in.	
10-350349RR-2432	24/32	32	1-3/8"-18 UNEF 2B	1-7/8"-16 UN 2A			31.5	1.24	9.0	0.35	9.0	0.35	7.0	0.28	A
10-350349RR-3640	36/40	40	2-1/16"-16 UN 2B	2-5/16"-16 UN 2A			40.0	1.57	10.5	0.41	10.5	0.41	7.0	0.28	A
10-350349RR-4040	40/40	40	2-5/16"-16 UN 2B	2-5/16"-16 UN 2A	66.0	2.60	53.0	2.09	25.5	1.00	10.5	0.41	10.5	0.41	B

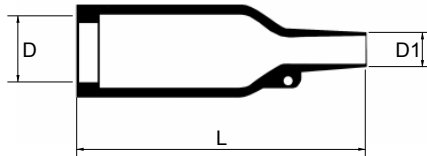
General Properties:

- Polyolefin, chemically cross linked, semi-flexible
- Shrinking temperature: 135°C [275°F]
- Operating temperature: -55°C [-67°F] up to 135°C[275°F]
- Dielectric strength: 15kV/mm
- Flame retardant according to: ASTM D635
- Dimensions: valid for completely recovered parts

General Properties [Halogens Free]:

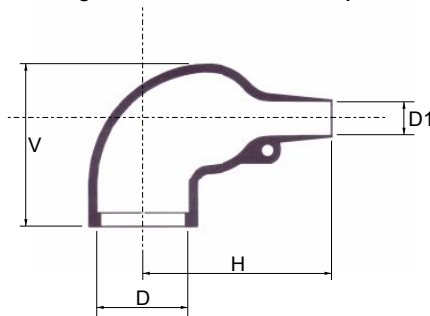
- Chemically cross linked, semi-flexible
- Shrinking temperature: 135°C [275°F]
- Operating temperature: -55°C [-67°F] up to 105°C[221°F]
- Dielectric strength: 14kV/mm
- Flame retardant according to: VG 95343
- Dimensions: valid for completely recovered parts

Straight Heat Shrinkable Shapes



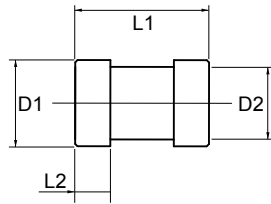
Order Number HALOGENS FREE	Order Number	Size	Expanded		Recovered				L	
			D		D		D1			
			mm	in.	mm	in.	mm	in.	mm	in.
FTH08-04	FT08-04	spez.	16.0	0.63	8.0	0.31	4.0	0.16	26.0	1.02
FTH11-06	FT11-06	spez.	24.0	0.94	11.0	0.43	6.0	0.24	38.0	1.50
FTH14-06	FT14-06	10	30.0	1.18	14.0	0.55	6.0	0.24	43.0	1.69
FTH23-09	FT23-09	14-22	36.0	1.42	22.5	0.89	8.5	0.33	60.0	2.36
FTH35-16	FT35-16	24-36	60.0	2.36	35.0	1.38	16.0	0.63	90.0	3.54
FTH45-17	FT45-17	40	66.0	2.60	45.0	1.77	17.0	0.67	130.0	5.12

Straight Heat Shrinkable 90° Shapes



Order Number HALOGENS FREE	Order Number	Size	Expanded		Recovered				V		H	
			D		D		D1					
			mm	in.	mm	in.	mm	in.	mm	in.		
FTHW14-06	FTW14-06	10	30.0	1.18	14.0	0.55	6.0	0.24	27.0	1.06	32.0	1.26
FTHW23-09	FTW23-09	14-22	36.0	1.42	22.5	0.89	8.5	0.33	38.0	1.50	46.0	1.81
FTHW35-16	FTW35-16	24-36	60.0	2.36	35.0	1.38	16.0	0.63	54.0	2.13	80.0	3.15
FTHW45-17	FTW45-17	40	66.0	2.60	45.0	1.77	17.0	0.67	68.0	2.68	108.0	4.25

Polyamide Filler Plugs



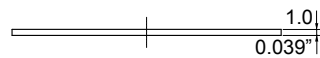
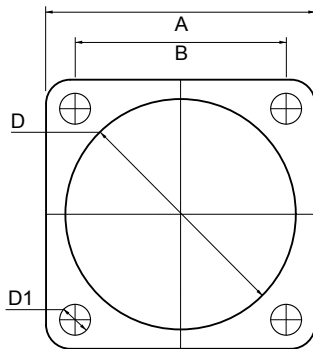
Order Number	Size	Colour	L1 ±0.2		L2 ±0.1		D1 ±0.1		D2 ±0.1	
			mm	in.	mm	in.	mm	in.	mm	in.
10-101033-0	0	White	14.3	0.56	4.3	0.17	15.0	0.59	13.5	0.53
10-101033-4	4	White	11.8	0.46	3.7	0.15	11.0	0.43	9.8	0.39
10-101033-141	8	White	12.0	0.47	3.3	0.13	7.4	0.29	6.3	0.25
10-101033-131	12	Yellow	12.0	0.47	3.3	0.13	4.6	0.18	3.0	0.12
10-101033-121	16	Blue	12.0	0.47	03.3	0.13	3.1	0.12	1.8	0.07

Sealing gaskets for receptacles

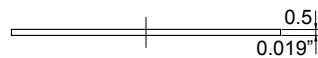
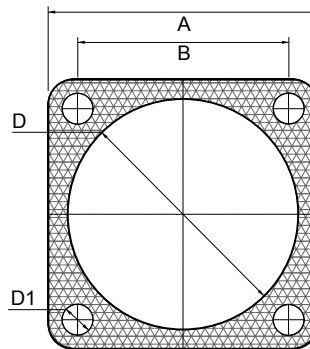
Material:

- **Type N:** Polychloroprene: Nonconductive / Protection class according to DIN40050: IP67
- **Type S:** Alu-Flex: Conductive / Protection class according to DIN40050: IP65

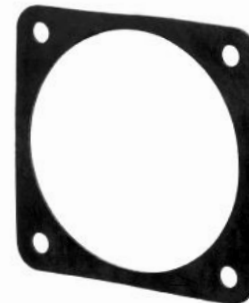
*** To order **Type S** (conductive) add an **S** at the end of the part number, e.g. 10-40450S



TYPE N non-conductive



TYPE S conductive



Order Number	Order Number	Size	A +0.4/-0		B ±0.2		D Front Panel +0.4/-0		D Rear Panel +0.4/-0		D1 ±0.2	
			mm	in.	mm	in.	mm	in.	mm	in.	mm	in.
10-40450-10	10-40451-10	10	25.4	1.00	18.2	0.72	15.9	0.63	18.2	0.72	4.4	0.17
10-40450-14	10-40451-14	14	30.0	1.18	23.0	0.91	22.2	0.87	24.6	0.97	4.4	0.17
10-40450-16	10-40451-16	16	32.5	1.28	24.6	0.97	25.4	1.00	27.4	1.08	4.4	0.17
10-40450-18	10-40451-18	18	35.0	1.38	27.0	1.06	28.6	1.13	30.8	1.21	5.2	0.20
10-40450-20	10-40451-20	20	38.0	1.50	29.4	1.16	31.8	1.25	34.2	1.35	5.2	0.20
10-40450-22	10-40451-22	22	41.0	1.61	31.8	1.25	34.9	1.37	37.4	1.47	5.2	0.20
10-40450-24	10-40451-24	24	44.5	1.75	34.9	1.37	38.1	1.50	40.9	1.61	5.2	0.20
10-40450-28	10-40451-28	28	50.8	2.00	39.7	1.56	44.5	1.75	46.7	1.84	5.2	0.20
10-40450-32	10-40451-32	32	57.0	2.24	44.5	1.75	50.8	2.00	53.4	2.10	5.6	0.22
10-40450-36	10-40451-36	36	63.5	2.50	49.2	1.94	57.0	2.24	59.6	2.35	5.6	0.22
10-40450-40	10-40451-40	40	69.9	2.75	55.5	2.18	61.9	2.44	65.5	2.58	5.6	0.22

General Properties

- Aluminum Receptacle
- Contact layouts available up to 85 contacts
- Cable cross-sections of 0.5 up to 50 mm²
- High mechanical loading capacity
- Resistant against fuels, grease and insulating oils, etc.
- Lifespan of 500 mating cycles at least
- Elastic insert for pressed in crimp contacts

Permanent elastic Inserts:

- E - Ethylene acrylate
- C - Chloroprene
- S - Silicone
- T - Thermoplastic IXEF
- V - Viton

Shell material:

- A - Aluminum Alloy
- B - Copper Alloy
- C - Stainless Steel

Surface treatment:

- A - Black Zinc-Cobalt
- C - Black Polyurethane Varnished
- E - Electro less Nickel

Inserts Temperatures

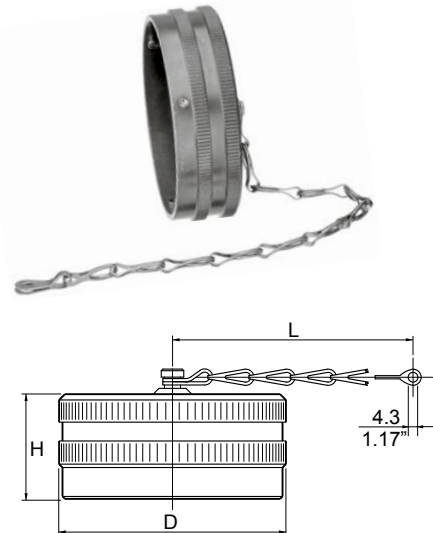
Material-Code	C	E	S	T
Material	chloroprene	ethylene acrylate*	silicone	thermoplastic
Operat. temperature	-55 to +125 °C	-55 to +125°C	-55 to +180°C	-40 to +130°C
Fire protection class UL	UL94 HB	UL94 V0 ¹⁾	UL94 V0	UL94 V0
Fire protection class NF	--	I3/F0 ²⁾	--	I3/F3 ²⁾

¹⁾Flame retardant, free of halogen. ²⁾NFF 16-101/102 * GIMOTA standard.

Order Number	Size	D max.		H max.		L	
		mm	in.	mm	in.	mm	in.
PR10SL-AC	10SL	23.6	0.93	15.8	0.62	127	5.00
PR14S-AC	14S	30.0	1.18	15.8	0.62	127	5.00
PR16S-AC	16S	33.0	1.30	16.0	0.63	127	5.00
PR16-AC	16	33.6	1.32	21.7	0.85	127	5.00
PR18-AC	18	38.0	1.50	21.7	0.85	127	5.00
PR20-AC	20	40.5	1.59	21.7	0.85	127	5.00
PR22-AC	22	44.0	1.73	21.7	0.85	127	5.00
PR24-AC	24	47.0	1.85	21.7	0.85	127	5.00
PR28-AC	28	53.0	2.09	21.7	0.85	190	7.48
PR32-AC	32	60.0	2.36	21.7	0.85	190	7.48
PR36-AC	36	66.2	2.61	21.7	0.85	190	7.48
PR40-AC	40	72.4	2.85	21.7	0.85	190	7.48
PR40-AC-GR*	40	72.4	2.85	21.7	0.85	190	7.48

*for GR and GS version

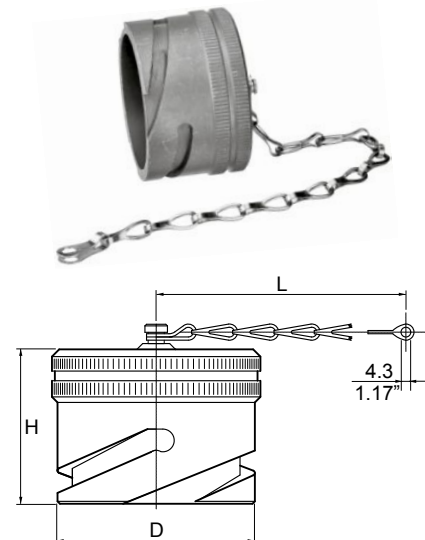
Metallic Protection Caps to Bayonet Receptacles



Order Number	Size	D max.		H max.		L	
		mm	in.	mm	in.	mm	in.
PP10SL-AC	10SL	20.6	0.81	27.3	1.07	127	5.00
PP14S-AC	14S	27.0	1.06	27.3	1.07	127	5.00
PP16S-AC	16S	29.8	1.17	27.3	1.07	127	5.00
PP16-AC	16	29.8	1.17	34.5	1.36	127	5.00
PP18-AC	18	33.0	1.30	34.5	1.36	127	5.00
PP20-AC	20	36.5	1.44	34.5	1.36	140	5.51
PP22-AC	22	39.7	1.56	34.5	1.36	140	5.51
PP24-AC	24	43.2	1.70	34.5	1.36	140	5.51
PP28-AC	28	48.9	1.92	34.5	1.36	190	7.48
PP32-AC	32	55.5	2.18	34.5	1.36	190	7.48
PP36-AC	36	61.6	2.42	34.5	1.36	190	7.48
PP40-AC	40	67.6	2.66	34.5	1.36	190	7.48
PP40-AC-GR*	40	67.6	2.66	34.5	1.36	190	7.48

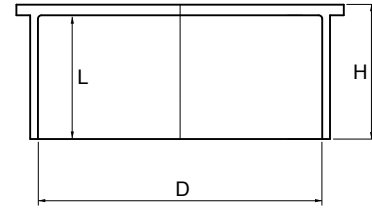
*for GR and GS version

Metallic Protection Caps to Bayonet Plugs



Plastic Protection Caps to Bayonet Receptacles

Order Number	Size	D		H		L	
		mm	in.	mm	in.	mm	in.
PR10SL-D	10SL	18.0	0.71	13.0	0.51	12.0	0.47
PR14S-D	14S	24.0	0.94	13.0	0.51	12.0	0.47
PR16S-D	16S	26.0	1.02	13.0	0.51	12.0	0.47
PR16-D	16	26.0	1.02	18.5	0.73	17.5	0.69
PR18-D	18	30.0	1.18	18.5	0.73	17.5	0.69
PR20-D	20	33.0	1.30	18.5	0.73	17.5	0.69
PR22-D	22	37.0	1.46	18.5	0.73	17.5	0.69
PR24-D	24	40.0	1.57	18.5	0.73	17.5	0.69
PR28-D	28	46.0	1.81	18.5	0.73	17.5	0.69
PR32-D	32	53.0	2.09	18.5	0.73	17.5	0.69
PR36-D	36	59.0	2.32	18.5	0.73	17.5	0.69
PR40-D	40	65.0	2.56	18.5	0.73	17.5	0.69



Plastic Protection Caps to Bayonet Plugs

Order Number	Size	D		H		L	
		mm	in.	mm	in.	mm	in.
PP10SL-D	10SL	18.0	0.71	12.5	0.49	11.5	0.45
PP14S-D	14S	24.0	0.94	12.5	0.49	11.5	0.45
PP16S-D	16S	26.0	1.02	12.5	0.49	11.5	0.45
PP16-D	16	26.0	1.02	12.5	0.49	11.5	0.45
PP18-D	18	30.0	1.18	12.5	0.49	11.5	0.45
PP20-D	20	33.0	1.30	12.5	0.49	11.5	0.45
PP22-D	22	37.0	1.46	12.5	0.49	11.5	0.45
PP24-D	24	40.0	1.57	12.5	0.49	11.5	0.45
PP28-D	28	46.0	1.81	13.0	0.51	12.0	0.47
PP32-D	32	53.0	2.09	13.0	0.51	12.0	0.47
PP36-D	36	59.0	2.32	13.5	0.53	12.5	0.49
PP40-D	40	65.0	2.56	13.5	0.53	12.5	0.49

