



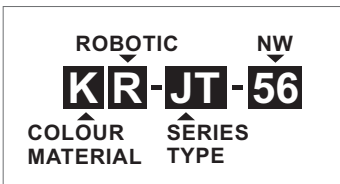
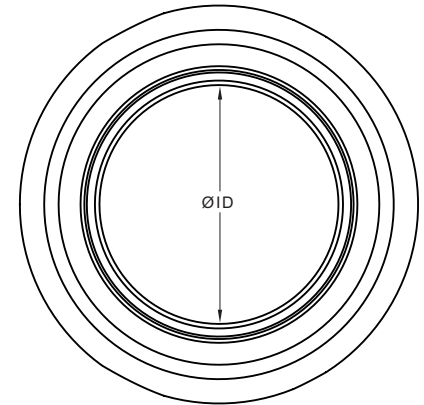
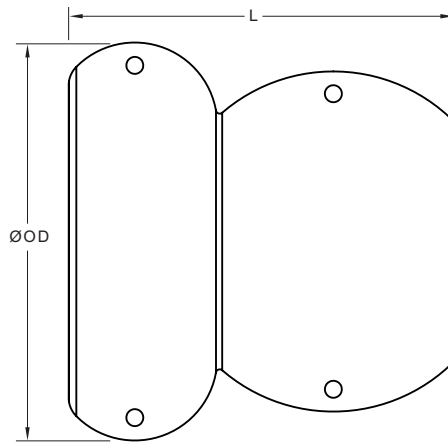
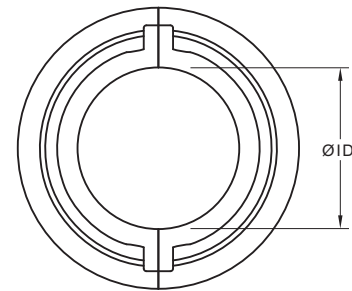
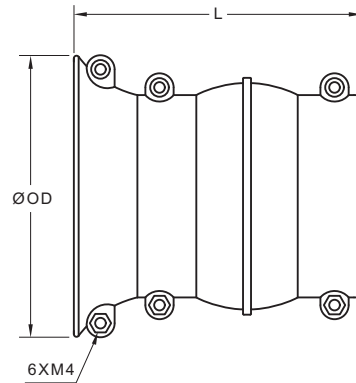
NW23-NW29-NW36



NW48-NW56-NW70-NW95



- High-grade formulated polyamide
- Self-extinguishing, free from halogens and cadmium
- Excellent impact strength
- Temperature range: -40°C(-40°F) to 105°C(221°F)
- Short-term to 160°C(320°F)
- Content of delivery: Ball Joint with assembling screws



Specifications are subject to change without notice

Order No.	Fits to	ØOD		ØID		L	
	NW	mm	in	mm	in	mm	in
KR-JT-23	23	47.5	1.87	23.5	0.93	50.0	1.97
KR-JT-29	29	55.5	2.19	29.0	1.14	60.0	2.36
KR-JT-36	36	80.5	3.17	38.0	1.50	100.5	3.96
KR-JT1-48	48	92.3	3.63	52.0	2.05	88.4	3.48
KR-JT1-56	56	105.3	4.15	60.0	2.36	101.8	4.01
KR-JT1-70	70	120.1	4.73	73.8	2.90	102.0	4.02
KR-JT1-95	95	144.2	5.68	101.4	3.99	120.0	4.72