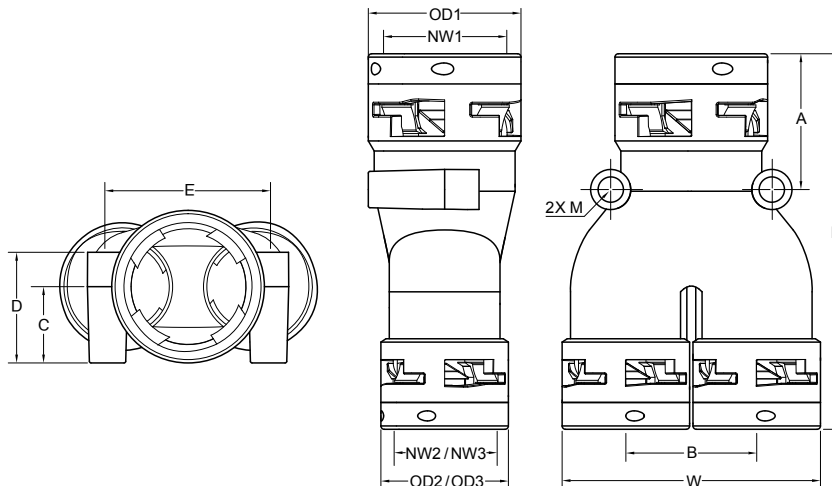




- Locking device system provides a quick and secure push-in connection of corrugated conduits
- High-grade formulated polyamide
- Self-extinguishing, free from halogens and cadmium
- Excellent impact strength
- Temperature range: -40°C(-40°F) to 105°C(221°F)
- Short-term to 160°C(320°F)
- Up to IP68 / NEMA 6P protection with the reinforced sealing cap at conduit side
- Colour: Black standard, other colours available upon request

IP RATING	SHAPE	NW2
K8-S-Y-121010		
COLOUR MATERIAL	SÉRIES TYPE	NW1 NW3



Specifications are subject to change without notice

Order No.	Order No.	Fits to Conduit	A		B		C		D		E		W		L		M	OD1	OD1	OD2 / OD3	
IP66	IP68	NW1-NW2-NW3	mm	in	mm	in	mm	in	mm	in	mm	in	mm	in	mm	in	mm	mm	in	mm	in
K6-S-Y-100707	K8-S-Y-100707	10 - 7 - 7	26.0	1.02	18.0	0.71	10.0	0.39	16.0	0.63	21.0	0.83	35.0	1.38	69.4	2.73	4	20.0	0.79	17.0	0.67
K6-S-Y-121010	K8-S-Y-121010	12 - 10 - 10	29.0	1.14	21.0	0.83	12.0	0.47	18.0	0.71	26.0	1.02	41.0	1.61	74.0	2.91	4	24.0	0.94	20.0	0.79
K6-S-Y-171212	K8-S-Y-171212	17 - 12 - 12	32.0	1.26	25.0	0.98	15.0	0.59	22.0	0.87	32.0	1.26	49.0	1.93	82.5	3.25	5	30.0	1.18	24.0	0.94
K6-S-Y-231717	K8-S-Y-231717	23 - 17 - 17	40.0	1.57	31.0	1.22	19.0	0.75	26.0	1.02	40.0	1.57	61.0	2.40	96.0	3.78	6	38.0	1.50	30.0	1.18
K6-S-Y-292323	K8-S-Y-292323	29 - 23 - 23	40.5	1.59	39.0	1.54	22.8	0.90	33.0	1.30	48.0	1.89	77.0	3.03	112.0	4.41	6	45.5	1.79	38.0	1.50
K6-S-Y-362929	K8-S-Y-362929	36 - 29 - 29	50.0	1.97	46.5	1.83	28.5	1.12	38.0	1.50	58.0	2.28	92.0	3.62	130.0	5.12	6	57.0	2.24	45.5	1.79
K6-S-Y-483636	K8-S-Y-483636	48 - 36 - 36	55.0	2.17	58.0	2.28	34.0	1.34	47.0	1.85	70.0	2.76	115.0	4.53	148.5	5.85	6	68.0	2.68	57.0	2.24