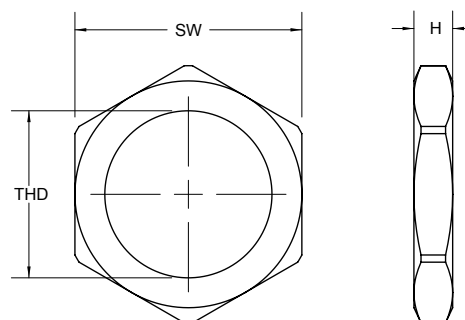




- Polyamide glass fibre reinforced
- Temperature range: -40°C(-40°F) to 105°C(221°F)
- Short-term to 150°C(302°F)



Specifications are subject to change without notice

Order Number	THD Metric	SW		H	
		mm	in	mm	in
KLNJ-M12	M12x1.5	17.0	0.67	5.0	0.20
KLNJ-M16	M16x1.5	22.0	0.87	5.0	0.20
KLNJ-M20	M20x1.5	27.0	1.06	6.0	0.24
KLNJ-M25	M25x1.5	32.0	1.26	6.0	0.24
KLNJ-M32	M32x1.5	41.0	1.61	7.0	0.28
KLNJ-M40	M40x1.5	50.0	1.97	7.0	0.28
KLNJ-M50	M50x1.5	60.0	2.36	8.0	0.31
KLNJ-M63	M63x1.5	75.0	2.95	8.0	0.31

METRIC
THREAD

Order Number	THD PG	SW		H	
		mm	in	mm	in
KLNJ-P07	7	19.0	0.75	5.0	0.20
KLNJ-P09	9	22.0	0.87	5.0	0.20
KLNJ-P11	11	24.0	0.94	5.0	0.20
KLNJ-P13	13.5	27.0	1.06	6.0	0.24
KLNJ-P16	16	30.0	1.18	6.0	0.24
KLNJ-P21	21	36.0	1.42	7.0	0.28
KLNJ-P29	29	46.0	1.81	7.0	0.28
KLNJ-P36	36	60.0	2.36	8.0	0.31
KLNJ-P42	42	65.0	2.56	8.0	0.31
KLNJ-P48	48	70.0	2.76	8.0	0.31

PG
THREAD

Order Number	THD NPT	SW		H	
		mm	in	mm	in
KLNJ-N01	3/8	22.0	0.87	5.0	0.20
KLNJ-N02	1/2	27.0	1.06	6.0	0.24
KLNJ-N04	3/4	36.0	1.42	7.0	0.28
KLNJ-N06	1	42.0	1.65	7.0	0.28

NPT
THREAD