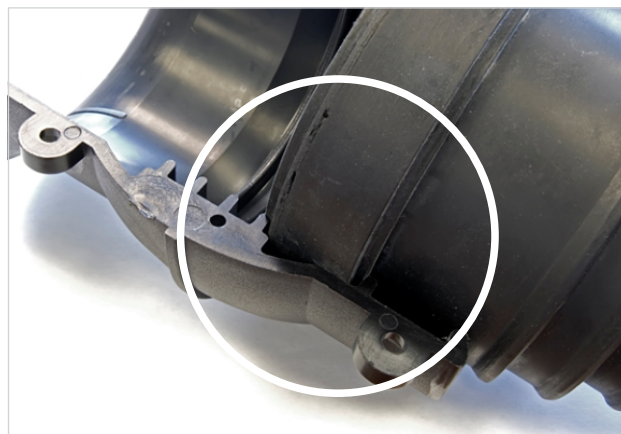
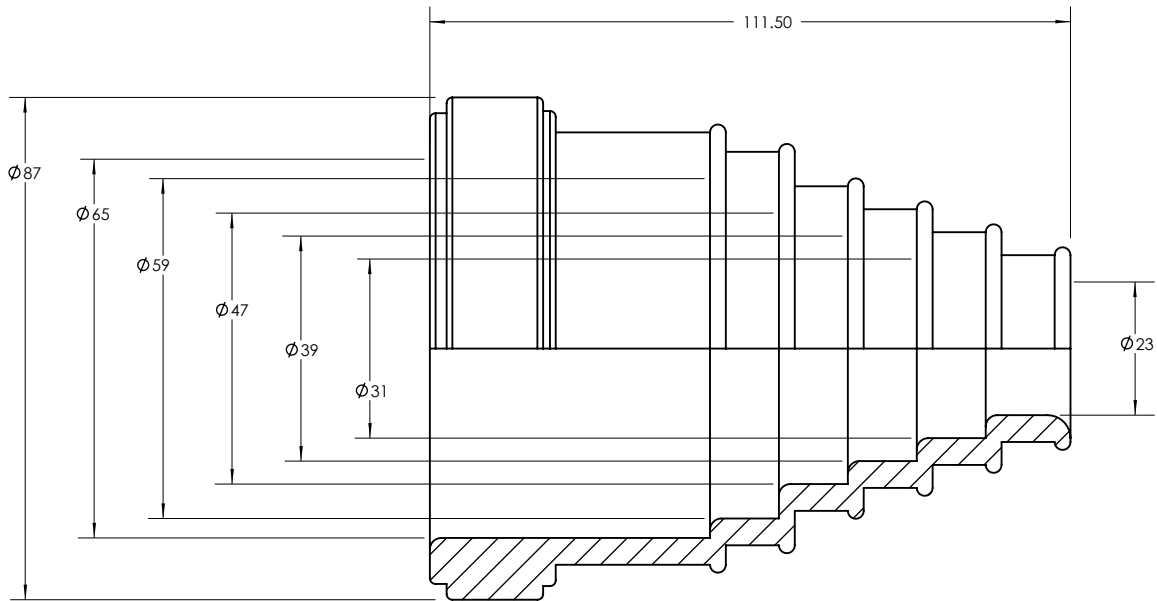




- To be used KRJT Ball Joint Termination
- Nitrile rubber
- Temperature range: -40°C(-40°F) to 105°C(221°F)

ROBOTIC	NW	MAX.	MIN.
<b>R</b>	<b>G</b>	<b>70</b>	<b>M7023</b>
SERIES TYPE		CABLE RANGE	

Specifications are subject to change without notice



Position **RGM** grommet into the **KRJT** ball joint termination as shown.