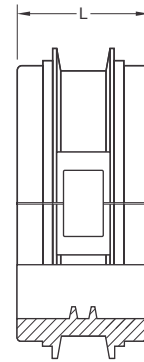
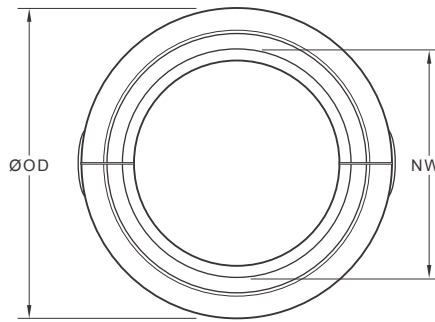


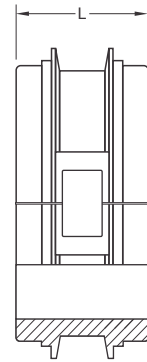


- High-grade formulated polyamide
- Self-extinguishing, free from halogens and cadmium
- Excellent impact strength
- Temperature range: -40°C(-40°F) to 105°C(221°F)
- Short-term to 160°C(320°F)

ROBOTIC	NW
KR-SRC-70	
COLOUR MATERIAL	SERIES TYPE



SR
Strain Relief



SS
Slide

Specifications are subject to change without notice

Order No.	Order No.	To be used with	Fits to	ØOD		L	
			NW	mm	in	mm	in
KR-SRC-56	KR-SSC-56	KR-C-56	56	86.0	3.39	43.0	1.69
KR-SRC-70	KR-SSC-70	KR-C-70	70	104.0	4.09	44.0	1.73