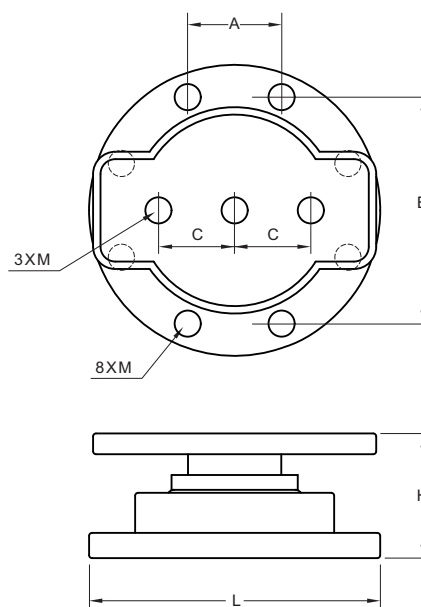
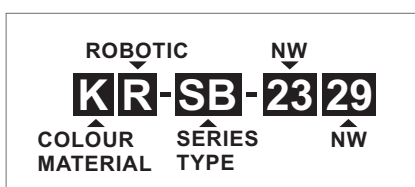




- High-grade formulated polyamide
- Self-extinguishing, free from halogens and cadmium
- Excellent impact strength
- Temperature range: -40°C(-40°F) to 105°C(221°F)
- Short-term to 160°C(320°F)



Specifications are subject to change without notice

Order No.	Fits to	A		B		C		L		H		M	
	NW	mm	in	mm	in	mm	in	mm	in	mm	in	mm	in
KR-SB-2329	23 / 29	18.0	0.71	44.0	1.73	13.5	0.53	56.0	2.20	25.5	1.00	4.0	0.16
KR-SB-36	36	31.5	1.24	76.5	3.01	24.0	0.94	98.0	3.86	42.0	1.65	8.0	0.31
KR-SB-485670	48 / 56 / 70	31.5	1.24	76.5	3.01	25.5	1.00	98.0	3.86	42.0	1.65	8.0	0.31
KR-SB-95	95	36.0	1.42	85.5	3.37	44.0	1.73	120.0	4.72	43.5	1.71	8.0	0.31