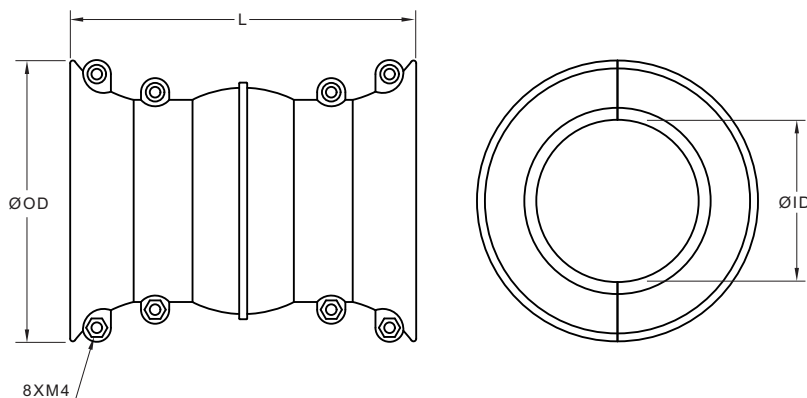
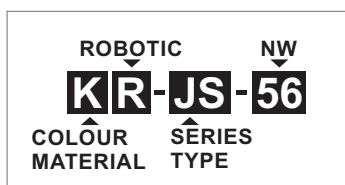




- High-grade formulated polyamide
- Self-extinguishing, free from halogens and cadmium
- Excellent impact strength
- Temperature range: -40°C(-40°F) to 105°C(221°F)
- Short-term to 160°C(320°F)
- Content of delivery: Ball Joint with assembling screws



Specifications are subject to change without notice

Order No.	Fits to	ØOD		ØID		L	
	NW	mm	in	mm	in	mm	in
KR-JS-23	23	46.0	1.81	23.5	0.93	50.0	1.97
KR-JS-29	29	54.0	2.13	29.0	1.14	60.0	2.36
KR-JS-36	36	80.5	3.17	38.0	1.50	120.0	4.72
KR-JS-48	48	92.5	3.64	49.5	1.95	122.5	4.82
KR-JS-56	56	110.0	4.33	61.0	2.40	130.0	5.12
KR-JS-70	70	124.0	4.88	75.0	2.95	154.0	6.06