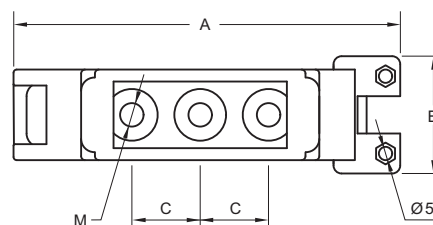
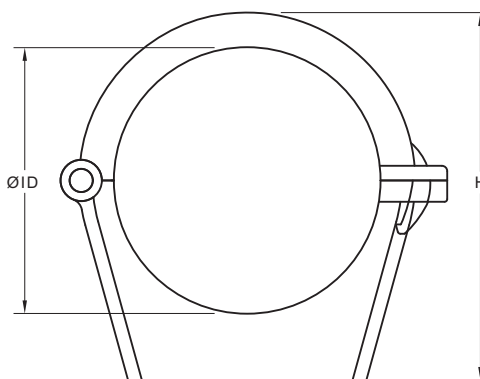
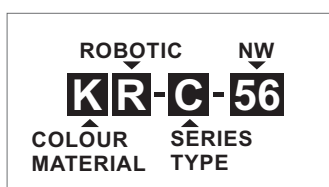




- High-grade formulated polyamide
- Self-extinguishing, free from halogens and cadmium
- Excellent impact strength
- Temperature range: -40°C(-40°F) to 105°C(221°F)
- Short-term to 160°C(320°F)



Specifications are subject to change without notice

Order No.	Fits to	A		B		C		H		ØID		M	
	NW	mm	in	mm	in	mm	in	mm	in	mm	in	mm	in
KR-C-23	23	49.0	1.93	30.0	1.18	13.5	0.53	50.0	1.97	36.3	1.43	4.2	0.17
KR-C-29	29	58.8	2.31	30.0	1.18	13.5	0.53	60.0	2.36	46.6	1.83	4.2	0.17
KR-C-36	36	85.8	3.38	45.0	1.77	23.8	0.94	88.5	3.48	57.6	2.27	9.0	0.35
KR-C-48	48	93.5	3.68	45.0	1.77	23.8	0.94	92.5	3.64	69.1	2.72	9.0	0.35
KR-C-56	56	128.0	5.04	39.5	1.56	25.7	1.01	115.3	4.54	79.5	3.13	9.0	0.35
KR-C-70	70	145.5	5.73	44.0	1.73	25.7	1.01	138.0	5.43	100.0	3.94	9.0	0.35