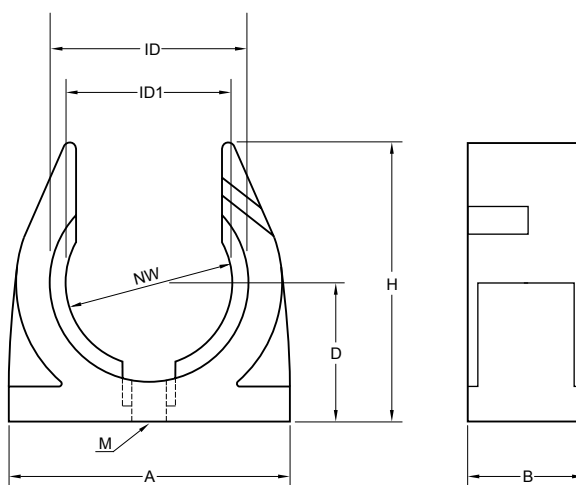
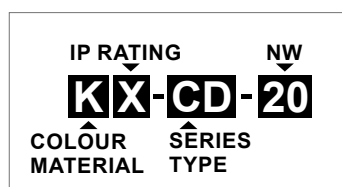




- High-grade formulated polyamide
- Self-extinguishing, free from halogens and cadmium
- Excellent impact strength
- Temperature range: -40°C(-40°F) to 105°C(221°F)
- Short-term to 160°C(320°F)
- Fits both profile conduits C (Coarse) / F (Fine)



Specifications are subject to change without notice

Order No.	Fits to Conduit	A		B		D		H		ID		ID1		M
	NW	mm	in	mm	in	mm	in	mm	in	mm	in	mm	in	
KX-CD-06	6 / 7	15.0	0.59	20.0	0.79	10.0	0.39	17.0	0.67	9.2	0.36	7.8	0.31	3
KX-CD-10	10	18.0	0.71	20.0	0.79	12.0	0.47	21.0	0.83	12.3	0.48	10.3	0.41	3
KX-CD-11	11 / 12	21.0	0.83	20.0	0.79	13.0	0.51	23.0	0.91	14.7	0.58	12.3	0.48	3
KX-CD-14	14	24.0	0.94	20.0	0.79	15.0	0.59	26.0	1.02	17.0	0.67	14.5	0.57	3
KX-CD-16	16 / 17	30.0	1.18	20.0	0.79	18.0	0.71	33.0	1.30	20.5	0.81	18.0	0.71	5
KX-CD-20	20	35.0	1.38	20.0	0.79	20.0	0.79	36.0	1.42	25.0	0.98	22.5	0.89	5
KX-CD-23	23	42.0	1.65	20.0	0.79	24.0	0.94	43.0	1.69	30.0	1.18	26.0	1.02	5
KX-CD-29	29	48.0	1.89	20.0	0.79	25.0	0.98	48.0	1.89	34.0	1.34	29.0	1.14	5
KX-CD-37	37	55.0	2.17	20.0	0.79	30.0	1.18	55.0	2.17	40.0	1.57	34.0	1.34	6
KX-CD-45	45	67.0	2.64	20.0	0.79	36.0	1.42	67.0	2.64	52.0	2.05	46.0	1.81	6
KX-CD-70	70	99.0	3.90	20.0	0.79	50.0	1.97	99.0	3.90	77.0	3.03	67.5	2.66	6