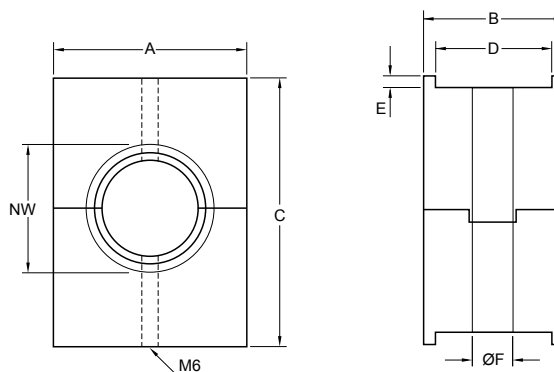
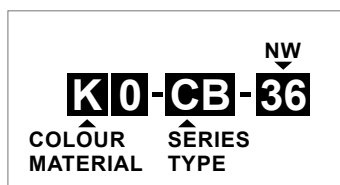




- High-grade formulated polyamide
- Self-extinguishing, free from halogens and cadmium
- Excellent impact strength
- Temperature range: -40°C(-40°F) to 105°C(221°F)
- Short-term to 160°C(320°F)
- High stiffness in stackable configuration
- Totally safe against twisting and movements
- Content of delivery: System support with assembling screws
- Fits both profile conduits C (Coarse) / F (Fine)



Specifications are subject to change without notice

Order No.	fits to	A		B		C		D		E		Ø F	
	NW	mm	in	mm	in	mm	in	mm	in	mm	in	mm	in
K0-CB-17	17	47.5	1.87	34.5	1.36	66.0	2.60	25.4	1.00	3.1	0.12	10.0	0.39
K0-CB-23	23	47.5	1.87	34.5	1.36	66.0	2.60	25.4	1.00	3.1	0.12	10.0	0.39
K0-CB-29	29	61.5	2.42	34.5	1.36	66.0	2.60	25.4	1.00	3.1	0.12	10.0	0.39
K0-CB-36	36	61.5	2.42	34.5	1.36	66.0	2.60	25.4	1.00	3.1	0.12	10.0	0.39
K0-CB-48	48	76.0	2.99	34.5	1.36	66.0	2.60	25.4	1.00	3.1	0.12	10.0	0.39