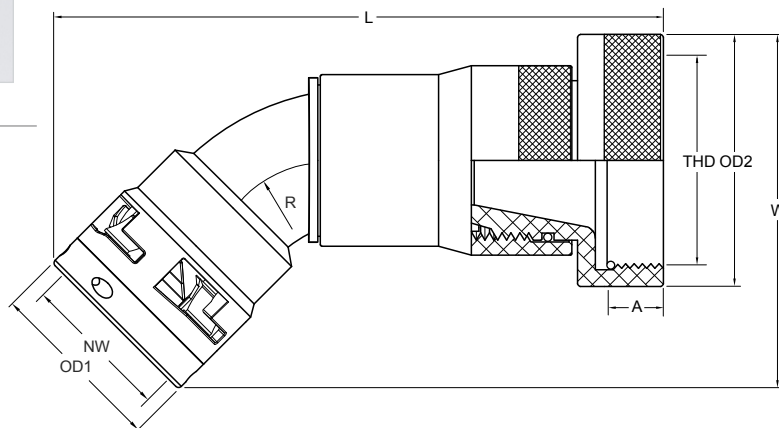




- Locking device system provides a quick and secure push-in connection of corrugated conduits
- High-grade formulated polyamide, EMI/EMC end nickel-plated aluminum
- 360° clamping effect: For high shielding efficiency, Low transfer impedances
- Self-extinguishing, free from halogens and cadmium
- Temperature range: -40°C(-40°F) to 105°C(221°F), Short-term to 160°C(320°F)
- Up to IP68 / NEMA 6P protection with the reinforced sealing cap at conduit side



| | | | |
|-----------------|-------------|------------|--------------|
| EMI/RING | IP RATING | SHAPE | THREAD TYPE |
| EMP | M8 | F-F | 23U29 |
| COLOUR MATERIAL | SERIES TYPE | NW | THREAD SIZE |

Specifications are subject to change without notice

| Order No. | THD UNEF | Fits to | Fits to | A | | L | | R | | W | | OD1 | | OD2 | |
|------------------|---------------|---------|---------|------|------|-------|------|------|------|-------|------|------|------|------|------|
| | | NW | Braid | mm | in | mm | in | mm | in | mm | in | mm | in | mm | in |
| EMP-M8-F-F-10U15 | 5/8"-24 | 10 | 10 | 8.0 | 0.31 | 91.0 | 3.58 | 31.2 | 1.23 | 46.5 | 1.83 | 20.0 | 0.79 | 25.0 | 0.98 |
| EMP-M8-F-F-12U15 | 5/8"-24 | 12 | 12.5 | 8.0 | 0.31 | 97.5 | 3.84 | 31.6 | 1.24 | 51.5 | 2.03 | 24.0 | 0.94 | 29.0 | 1.14 |
| EMP-M8-F-F-12U16 | 11/16"-24 | 12 | 12.5 | 8.0 | 0.31 | 101.5 | 4.00 | 31.6 | 1.24 | 51.5 | 2.03 | 24.0 | 0.94 | 29.0 | 1.14 |
| EMP-M8-F-F-12U18 | 3/4"-20 | 12 | 12.5 | 9.0 | 0.35 | 98.8 | 3.89 | 31.6 | 1.24 | 51.5 | 2.03 | 24.0 | 0.94 | 29.0 | 1.14 |
| EMP-M8-F-F-17U18 | 3/4"-20 | 17 | 15 | 9.0 | 0.35 | 105.8 | 4.17 | 37.6 | 1.48 | 60.0 | 2.36 | 30.0 | 1.18 | 32.0 | 1.26 |
| EMP-M8-F-F-12U21 | 7/8"-20 | 12 | 12.5 | 9.0 | 0.35 | 99.5 | 3.92 | 31.6 | 1.24 | 51.5 | 2.03 | 24.0 | 0.94 | 29.0 | 1.14 |
| EMP-M8-F-F-17U21 | 7/8"-20 | 17 | 15 | 9.0 | 0.35 | 106.5 | 4.19 | 37.6 | 1.48 | 60.0 | 2.36 | 30.0 | 1.18 | 32.0 | 1.26 |
| EMP-M8-F-F-23U21 | 7/8"-20 | 23 | 20 | 9.0 | 0.35 | 125.0 | 4.92 | 41.5 | 1.63 | 72.3 | 2.84 | 38.0 | 1.50 | 40.5 | 1.59 |
| EMP-M8-F-F-12U24 | 1"-20 | 12 | 12.5 | 9.0 | 0.35 | 99.0 | 3.90 | 31.6 | 1.24 | 51.5 | 2.03 | 24.0 | 0.94 | 29.0 | 1.14 |
| EMP-M8-F-F-17U24 | 1"-20 | 17 | 15 | 9.0 | 0.35 | 106.0 | 4.17 | 37.6 | 1.48 | 60.0 | 2.36 | 30.0 | 1.18 | 32.0 | 1.26 |
| EMP-M8-F-F-23U24 | 1"-20 | 23 | 20 | 9.0 | 0.35 | 124.5 | 4.90 | 41.5 | 1.63 | 72.3 | 2.84 | 38.0 | 1.50 | 40.5 | 1.59 |
| EMP-M8-F-F-12U29 | 1-3/16"-18 | 12 | 12.5 | 9.0 | 0.35 | 99.0 | 3.90 | 31.6 | 1.24 | 54.5 | 2.15 | 24.0 | 0.94 | 35.0 | 1.38 |
| EMP-M8-F-F-17U29 | 1-3/16"-18 | 17 | 15 | 9.0 | 0.35 | 106.5 | 4.19 | 37.6 | 1.48 | 61.5 | 2.42 | 30.0 | 1.18 | 35.0 | 1.38 |
| EMP-M8-F-F-23U29 | 1-3/16"-18 | 23 | 20 | 9.0 | 0.35 | 128.0 | 5.04 | 41.5 | 1.63 | 72.3 | 2.84 | 38.0 | 1.50 | 40.5 | 1.59 |
| EMP-M8-F-F-29U29 | 1-3/16"-18 | 29 | 30 | 9.0 | 0.35 | 136.0 | 5.35 | 47.5 | 1.87 | 82.0 | 3.23 | 45.5 | 1.79 | 48.0 | 1.89 |
| EMP-M8-F-F-17U35 | 1-7/16"-18 | 17 | 15 | 9.0 | 0.35 | 108.5 | 4.27 | 37.6 | 1.48 | 65.3 | 2.57 | 30.0 | 1.18 | 42.5 | 1.67 |
| EMP-M8-F-F-23U35 | 1-7/16"-18 | 23 | 20 | 9.0 | 0.35 | 128.0 | 5.04 | 41.5 | 1.63 | 73.3 | 2.88 | 38.0 | 1.50 | 42.5 | 1.67 |
| EMP-M8-F-F-29U35 | 1-7/16"-18 | 29 | 30 | 9.0 | 0.35 | 135.0 | 5.31 | 47.5 | 1.87 | 82.0 | 3.23 | 45.5 | 1.79 | 48.0 | 1.89 |
| EMP-M8-F-F-36U35 | 1-7/16"-18 | 36 | 35 | 9.0 | 0.35 | 147.5 | 5.81 | 59.4 | 2.34 | 97.0 | 3.82 | 57.0 | 2.24 | 56.0 | 2.20 |
| EMP-M8-F-F-23U40 | 1-5/8"-18 UNS | 23 | 20 | 9.0 | 0.35 | 132.5 | 5.22 | 41.5 | 1.63 | 74.8 | 2.94 | 38.0 | 1.50 | 45.5 | 1.79 |
| EMP-M8-F-F-29U40 | 1-5/8"-18 UNS | 29 | 30 | 9.0 | 0.35 | 140.5 | 5.53 | 47.5 | 1.87 | 82.0 | 3.23 | 45.5 | 1.79 | 48.0 | 1.89 |
| EMP-M8-F-F-17U43 | 1-3/4"-18 UNS | 17 | 15 | 10.0 | 0.39 | 113.0 | 4.45 | 37.6 | 1.48 | 68.0 | 2.68 | 30.0 | 1.18 | 48.0 | 1.89 |
| EMP-M8-F-F-23U43 | 1-3/4"-18 UNS | 23 | 20 | 10.0 | 0.39 | 132.5 | 5.22 | 41.5 | 1.63 | 76.0 | 2.99 | 38.0 | 1.50 | 48.0 | 1.89 |
| EMP-M8-F-F-29U43 | 1-3/4"-18 UNS | 29 | 30 | 10.0 | 0.39 | 141.0 | 5.55 | 47.5 | 1.87 | 82.0 | 3.23 | 45.5 | 1.79 | 48.0 | 1.89 |
| EMP-M8-F-F-36U43 | 1-3/4"-18 UNS | 36 | 35 | 10.0 | 0.39 | 152.5 | 6.00 | 59.4 | 2.34 | 97.0 | 3.82 | 57.0 | 2.24 | 56.0 | 2.20 |
| EMP-M8-F-F-48U43 | 1-3/4"-18 UNS | 48 | 40 | 10.0 | 0.39 | 171.0 | 6.73 | 63.3 | 2.49 | 116.0 | 4.57 | 68.0 | 2.68 | 70.0 | 2.76 |
| EMP-M8-F-F-23U50 | 2"-18 UNS | 23 | 20 | 10.0 | 0.39 | 132.5 | 5.22 | 41.5 | 1.63 | 79.0 | 3.11 | 38.0 | 1.50 | 54.0 | 2.13 |
| EMP-M8-F-F-29U50 | 2"-18 UNS | 29 | 30 | 10.0 | 0.39 | 141.0 | 5.55 | 47.5 | 1.87 | 85.0 | 3.35 | 45.5 | 1.79 | 54.0 | 2.13 |
| EMP-M8-F-F-36U50 | 2"-18 UNS | 36 | 35 | 10.0 | 0.39 | 152.5 | 6.00 | 59.4 | 2.34 | 97.0 | 3.82 | 57.0 | 2.24 | 56.0 | 2.20 |
| EMP-M8-F-F-48U50 | 2"-18 UNS | 48 | 40 | 10.0 | 0.39 | 171.0 | 6.73 | 63.3 | 2.49 | 116.0 | 4.57 | 68.0 | 2.68 | 70.0 | 2.76 |
| EMP-M8-F-F-23U56 | 2-1/4"-16 UN | 23 | 20 | 10.0 | 0.39 | 133.0 | 5.24 | 41.5 | 1.63 | 84.0 | 3.31 | 38.0 | 1.50 | 64.0 | 2.52 |
| EMP-M8-F-F-29U56 | 2-1/4"-16 UN | 29 | 30 | 10.0 | 0.39 | 141.0 | 5.55 | 47.5 | 1.87 | 90.0 | 3.54 | 45.5 | 1.79 | 64.0 | 2.52 |
| EMP-M8-F-F-36U56 | 2-1/4"-16 UN | 36 | 35 | 10.0 | 0.39 | 152.5 | 6.00 | 59.4 | 2.34 | 101.0 | 3.98 | 57.0 | 2.24 | 64.0 | 2.52 |
| EMP-M8-F-F-48U56 | 2-1/4"-16 UN | 48 | 40 | 10.0 | 0.39 | 171.0 | 6.73 | 63.3 | 2.49 | 116.0 | 4.57 | 68.0 | 2.68 | 70.0 | 2.76 |

UNEF METAL THREAD