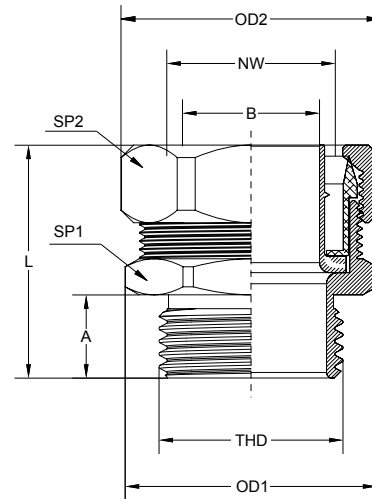
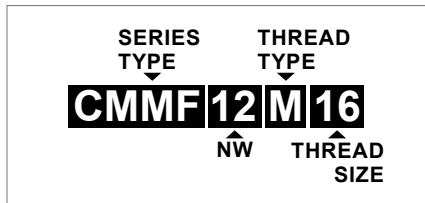


TEAFLEX



- For conduits type:  
**L, P, DAR, SVT, T/TP, LPU, DAPU & SVPEVAT**
- Nickel-plated brass
- Temperature range: -40°C(-40°F) to 105°C(221°F)
- **UL** File E-124066
- Up to IP67



Specifications are subject to change without notice

Order No.	THD.	Conduit	A		B		L		OD1		OD2		SP1		SP2	
	Metric		NW	mm	in	mm	in	mm	in	mm	in	mm	in	mm	in	
CMMF09M12	M12x1.5	9	10.0	0.39	7.0	0.28	31.0	1.22	23.0	0.91	24.5	0.96	20.0	0.79	22.0	0.87
CMMF09M16	M16x1.5	9	10.0	0.39	7.0	0.28	31.5	1.24	23.0	0.91	24.5	0.96	20.0	0.79	22.0	0.87
CMMF09M20	M20x1.5	9	10.0	0.39	7.0	0.28	31.5	1.24	25.0	0.98	24.5	0.96	22.0	0.87	22.0	0.87
CMMF10M12	M12x1.5	10	10.0	0.39	8.5	0.33	33.0	1.30	25.0	0.98	26.0	1.02	22.0	0.87	24.0	0.94
CMMF10M16	M16x1.5	10	10.0	0.39	8.5	0.33	33.0	1.30	25.0	0.98	26.0	1.02	22.0	0.87	24.0	0.94
CMMF10M20	M20x1.5	10	10.0	0.39	8.5	0.33	32.5	1.28	25.0	0.98	26.0	1.02	22.0	0.87	24.0	0.94
<b>UL</b> CMMF12M16	M16x1.5	12	10.0	0.39	10.5	0.41	33.0	1.30	27.5	1.08	29.0	1.14	24.0	0.94	26.0	1.02
<b>UL</b> CMMF12M20	M20x1.5	12	10.0	0.39	10.5	0.41	33.5	1.32	27.5	1.08	29.0	1.14	24.0	0.94	26.0	1.02
<b>UL</b> CMMF13M16	M16x1.5	13	10.0	0.39	11.5	0.45	33.5	1.32	30.0	1.18	30.5	1.20	26.0	1.02	28.0	1.10
<b>UL</b> CMMF13M20	M20x1.5	13	10.0	0.39	11.5	0.45	34.0	1.34	30.0	1.18	30.5	1.20	26.0	1.02	28.0	1.10
<b>UL</b> CMMF15M20	M20x1.5	15	10.0	0.39	13.8	0.54	34.5	1.36	32.0	1.26	33.0	1.30	28.0	1.10	30.0	1.18
<b>UL</b> CMMF15M25	M25x1.5	15	11.0	0.43	13.8	0.54	35.0	1.38	32.0	1.26	33.0	1.30	28.0	1.10	30.0	1.18
<b>UL</b> CMMF18M20	M20x1.5	18	11.0	0.43	16.5	0.65	34.5	1.36	37.0	1.46	37.0	1.46	32.0	1.26	34.0	1.34
<b>UL</b> CMMF18M25	M25x1.5	18	11.0	0.43	16.5	0.65	34.5	1.36	37.0	1.46	37.0	1.46	32.0	1.26	34.0	1.34
<b>UL</b> CMMF20M25	M25x1.5	20	12.0	0.47	18.5	0.73	37.0	1.46	39.0	1.54	42.5	1.67	35.0	1.38	38.0	1.50
<b>UL</b> CMMF25M32	M32x1.5	25	12.0	0.47	23.0	0.91	39.5	1.56	45.0	1.77	46.5	1.83	40.0	1.57	42.0	1.65
<b>UL</b> CMMF27M32	M32x1.5	27	12.0	0.47	25.0	0.98	39.5	1.56	45.0	1.77	49.5	1.95	42.0	1.65	45.0	1.77
<b>UL</b> CMMF33M40	M40x1.5	33	12.0	0.47	31.0	1.22	44.0	1.73	55.0	2.17	58.0	2.28	50.0	1.97	53.0	2.09
<b>UL</b> CMMF35M40	M40x1.5	35	12.0	0.47	33.0	1.30	43.0	1.69	55.0	2.17	58.0	2.28	50.0	1.97	53.0	2.09
<b>UL</b> CMMF40M50	M50x1.5	40	13.0	0.51	37.5	1.48	47.5	1.87	64.0	2.52	66.5	2.62	58.0	2.28	61.0	2.40
<b>UL</b> CMMF50M63	M63x1.5	50	16.0	0.63	48.0	1.89	55.0	2.17	76.0	2.99	80.5	3.17	70.0	2.76	74.0	2.91

**METRIC METAL THREAD**