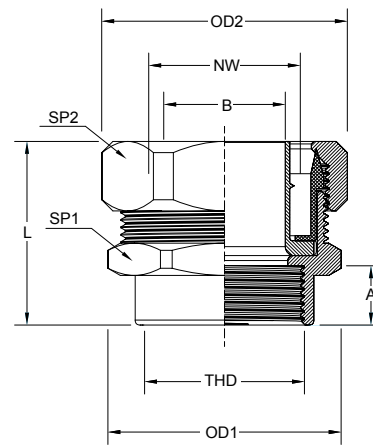
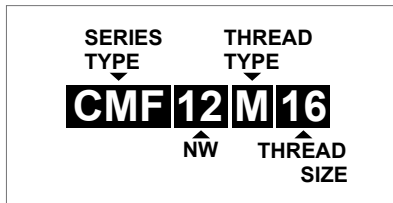


TEAFLEX



- For conduits type:  
**L, P, DAR, ŞVT, T/TP, LPU, DAPU & SVPEVAT**
- Nickel-plated brass
- Temperature range: -40°C(-40°F) to 105°C(221°F)
- **UL** File E-124066
- Up to IP67



Specifications are subject to change without notice

**METRIC  
METAL  
THREAD**

Order No.	THD.		Conduit		A		B		L		OD1		OD2		SP1		SP2	
	Metric	NW	mm	in	mm	in	mm	in	mm	in	mm	in	mm	in	mm	in	mm	in
CMF09M12	M12x1.5	9	8.0	0.31	7.0	0.28	28.5	1.12	23.0	0.91	24.5	0.96	20.0	0.79	22.0	0.87		
CMF10M16	M16x1.5	10	9.0	0.35	8.5	0.33	30.0	1.18	25.0	0.98	26.0	1.02	22.0	0.87	24.0	0.94		
<b>UL</b> CMF12M16	M16x1.5	12	9.0	0.35	10.5	0.41	29.0	1.14	27.5	1.08	29.0	1.14	24.0	0.94	26.0	1.02		
<b>UL</b> CMF13M20	M20x1.5	13	10.0	0.39	11.5	0.45	31.0	1.22	30.0	1.18	30.5	1.20	26.0	1.02	28.0	1.10		
<b>UL</b> CMF15M20	M20x1.5	15	10.0	0.39	13.8	0.54	31.5	1.24	32.0	1.26	33.0	1.30	28.0	1.10	30.0	1.18		
<b>UL</b> CMF18M25	M25x1.5	18	10.0	0.39	16.5	0.65	31.5	1.24	37.0	1.46	37.0	1.46	32.0	1.26	34.0	1.34		
<b>UL</b> CMF20M25	M25x1.5	20	12.0	0.47	18.5	0.73	37.0	1.46	39.0	1.54	42.5	1.67	35.0	1.38	38.0	1.50		
<b>UL</b> CMF25M32	M32x1.5	25	12.0	0.47	23.0	0.91	37.5	1.48	45.0	1.77	46.5	1.83	40.0	1.57	42.0	1.65		
<b>UL</b> CMF27M32	M32x1.5	27	12.0	0.47	25.0	0.98	38.0	1.50	45.0	1.77	49.5	1.95	42.0	1.65	45.0	1.77		
<b>UL</b> CMF33M40	M40x1.5	33	12.0	0.47	31.0	1.22	40.5	1.59	55.0	2.17	58.0	2.28	50.0	1.97	53.0	2.09		
<b>UL</b> CMF35M40	M40x1.5	35	12.0	0.47	33.0	1.30	39.5	1.56	55.0	2.17	58.0	2.28	50.0	1.97	53.0	2.09		
<b>UL</b> CMF40M50	M50x1.5	40	13.0	0.51	37.5	1.48	40.5	1.59	64.0	2.52	66.5	2.62	58.0	2.28	61.0	2.40		
<b>UL</b> CMF50M63	M63x1.5	50	20.0	0.79	48.0	1.89	56.0	2.20	76.0	2.99	80.5	3.17	70.0	2.76	74.0	2.91		