

Shell material:

- A - Aluminum Alloy
- B - Copper Alloy
- C - Stainless Steel

Surface treatment:

- A - Black Zinc-Cobalt
- C - Black Polyurethane Varnished
- E - Electro less Nickel

Mechanical Properties

Surface Code	A*	C*	E
Material	aluminium alloy		
Surface treatment	zinc-cobalt	epoxy-polyurethan	electroless nickel
Type of surface	passivated	varnished	-
Surface colour	black	black	blank
Thickness of surface treatment	12 –15 µm	13 –16 µm	12 –15 µm
Conformity of RoHS	yes	yes	yes
Corrosion resistance ¹⁾	200 h	500 h	48 h ⁴⁾
Operating temperature	-55 to +90°C	-55 to +125°C	-55 to +125°C
Temperature shock ²⁾	-55 to +125°C	-55 to +125°C	-55 to +125°C
Electical conductivity ³⁾	< 0.5 mΩ	non conductive	< 0.5 mΩ

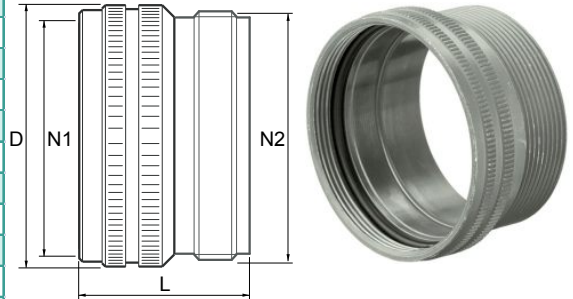
¹⁾Verification acc. to MIL 1344A Test 1001.1 ²⁾Verification acc. to MIL 202F Method 107G

³⁾Verification acc. to MIL 1344A Test 3007 (Electrical conductivity: Screen-Plug-Receptacle-Panel)

⁴⁾Only for special Aluminum-Alloy with surface free of pores * According to GIMOTA preferences

Order Number	Size	D _{max.}		N1 Thread (Inches)		N2 Thread (Inches)		L _{max.}	
		mm	in.					mm	in.
BSN10-AC	10	20.0	0.79	U15	5/8"-24 UNEF 2B	U15	5/8"-24 UNEF 2A	18.0	0.71
BSN14-AC	14	24.0	0.94	U18	3/4"-20 UNEF 2B	U18	3/4"-20 UNEF 2A	20.0	0.79
BSN16-AC	16	27.0	1.06	U21	7/8"-20 UNEF 2B	U21	7/8"-20 UNEF 2A	27.0	1.06
BSN18-AC	18	30.0	1.18	U24	1"-20 UNEF 2B	U24	1"-20 UNEF 2A	28.0	1.10
BSN20-AC	20	32.0	1.26	U27	1-1/8"-18 UNEF 2B	U29	1-3/16"-18 UNEF 2A	28.0	1.10
BSN22-AC	22	37.0	1.46	U30	1-1/4"-18 UNEF 2B	U29	1-3/16"-18 UNEF 2A	31.0	1.22
BSN24-AC	24	40.0	1.57	U34	1-3/8"-18 UNEF 2B	U35	1-7/16"-18 UNEF 2A	31.0	1.22
BSN28-AC	28	45.0	1.77	U40	1-5/8"-18 UNEF 2B	U35	1-7/16"-18 UNEF 2A	39.0	1.54
BSN32-AC	32	52.0	2.05	U47	1-7/8"-16 UN 2B	U43	1-3/4"-18 UNS 2A	40.0	1.57
BSN36-AC	36	58.0	2.28	U51	2-1/16"-16 UN 2B	U50	2"-18 UNS 2A	40.0	1.57
BSN40-AC	40	64.0	2.52	U57A	2-5/16"-16 UN 2B	U56	2-1/4"-16 UNS 2A	40.0	1.57

Standard Straight Backshell



THREAD NOMENCLATURE

- UN = Basic Unified National thread series
- UNS = Special Unified National thread series
- UNEF = Unified National Extra Fine thread series

* For epoxy-polyurethan black part number ends in [AC]
For zinc cobalt black [AA]

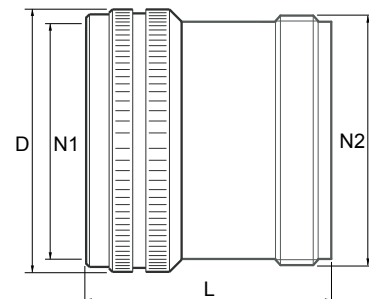
Long Straight Backshell

Order Number	Size	D _{max.}		N1 Thread (Inches)		N2 Thread (Inches)		L _{max.}	
		mm	in.					mm	in.
BSL10-AC	10	20.0	0.79	5/8"-24 UNEF 2B	5/8"-24 UNEF 2A	37.0	1.46		
BSL14-AC	14	24.0	0.94	3/4"-20 UNEF 2B	3/4"-20 UNEF 2A	37.0	1.46		
BSL16-AC	16	27.0	1.06	7/8"-20 UNEF 2B	7/8"-20 UNEF 2A	40.0	1.57		
BSL18-AC	18	30.0	1.18	1"-20 UNEF 2B	1"-20 UNEF 2A	41.0	1.61		
BSL20-AC	20	32.0	1.26	1-1/8"-18 UNEF 2B	1-3/16"-18 UNEF 2A	42.0	1.65		
BSL22-AC	22	37.0	1.46	1-1/4"-18 UNEF 2B	1-3/16"-18 UNEF 2A	43.0	1.69		
BSL24-AC	24	40.0	1.57	1-3/8"-18 UNEF 2B	1-7/16"-18 UNEF 2A	45.0	1.77		
BSL28-AC	28	45.0	1.77	1-5/8"-18 UNEF 2B	1-7/16"-18 UNEF 2A	45.0	1.77		
BSL32-AC	32	52.0	2.05	1-7/8"-16 UN 2B	1-3/4"-18 UNS 2A	65.0	2.56		
BSL36-AC	36	58.0	2.28	2-1/16"-16 UN 2B	2"-18 UNS 2A	65.0	2.56		
BSL40-AC	40	64.0	2.52	2-5/16"-16 UN 2B	2-1/4"-16 UNS 2A	65.0	2.56		

THREAD NOMENCLATURE

- UN = Basic Unified National thread series
- UNS = Special Unified National thread series
- UNEF = Unified National Extra Fine thread series

* For epoxy-polyurethan black part number ends in [AC]
For zinc cobalt black [AA]



Shell material:

- A - Aluminum Alloy
- B - Copper Alloy
- C - Stainless Steel

Surface treatment:

- A - Black Zinc-Cobalt
- C - Black Polyurethane Varnished
- E - Electro less Nickel

Mechanical Properties

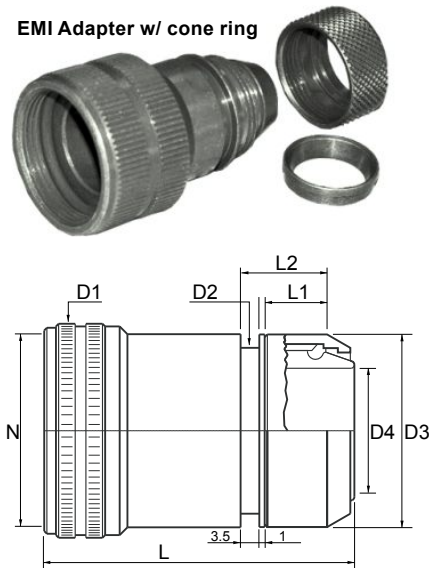
Surface Code	A*	C*	E
Material	aluminium alloy		
Surface treatment	zinc-cobalt	epoxy-polyurethan	electroless nickel
Type of surface	passivated	varnished	–
Surface colour	black	black	blank
Thickness of surface treatment	12 –15 µm	13 –16 µm	12 –15 µm
Conformity of RoHS	yes	yes	yes
Corrosion resistance ¹⁾	200 h	500 h	48 h ⁴⁾
Operating temperature	-55 to +90°C	-55 to +125°C	-55 to +125°C
Temperature shock ²⁾	-55 to +125°C	-55 to +125°C	-55 to +125°C
Electical conductivity ³⁾	< 0.5 mΩ	non conductive	< 0.5 mΩ

¹⁾Verification acc. to MIL 1344A Test 1001.1 ²⁾Verification acc. to MIL 202F Method 107G

³⁾Verification acc. to MIL 1344A Test 3007 (Electrical conductivity: Screen-Plug-Receptacle-Panel)

⁴⁾Only for special Aluminum-Alloy with surface free of pores * According to GIMOTA preferences

EMI Adapter w/ cone ring

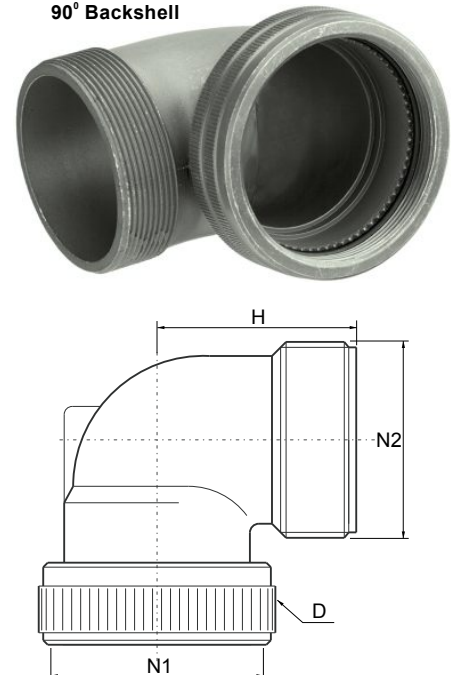


Order Number	Size	N1 Thread (Inches)	D1 max.		D2 min.		D3 ±0.2		D4 ±0.2		L ±0.5		L1 ±0.5		L2 ±0.2	
			mm	in.	mm	in.	mm	in.	mm	in.	mm	in.	mm	in.	mm	in.
ET-10-02-AA	10	5/8"-24 UNEF 2B	20.0	0.79	16.3	0.64	18.5	0.73	8.6	0.34	53	2.09	10	0.39	18.0	0.71
ET-14-03-AA	14	3/4"-20 UNEF 2B	24.0	0.94	20.0	0.79	22.0	0.87	10.6	0.42	53	2.09	10	0.39	18.0	0.71
ET-16-04-AA	16	7/8"-20 UNEF 2B	27.0	1.06	23.0	0.91	25.0	0.98	13.5	0.53	54	2.13	10	0.39	20.8	0.82
ET-18-04-AA	18	1"-20 UNEF 2B	30.0	1.18	24.5	0.96	28.0	1.10	14.6	0.57	55	2.16	10	0.39	20.8	0.82
ET-20-05-AA	20	1-1/8"-18 UNEF 2B	32.0	1.26	28.5	1.12	32.0	1.26	18.5	0.73	55	2.16	10	0.39	20.8	0.82
ET-22-06-AA	22	1-1/4"-18 UNEF 2B	37.0	1.46	30.5	1.20	34.0	1.34	20.8	0.82	55	2.16	12	0.47	20.8	0.82
ET-24-07-AA	24	1-3/8"-18 UNEF 2B	40.0	1.57	34.5	1.36	38.0	1.50	24.6	0.97	58	2.28	12	0.47	20.8	0.82
ET-28-08-AA	28	1-5/8"-18 UNEF 2B	45.0	1.77	36.0	1.42	40.0	1.57	25.0	0.98	58	2.28	12	0.47	21.8	0.86
ET-32-10-AA	32	1-7/8"-16 UN 2B	52.0	2.05	44.0	1.73	48.0	1.89	33.3	1.31	60	2.36	12	0.47	20.7	0.81
ET-36-12-AA	36	2-1/16"-16 UN 2B	58.0	2.28	51.0	2.01	55.0	2.16	38.5	1.52	61	2.40	12	0.47	20.7	0.81
ET-40-14-AA	40	2-5/16"-16 UN 2B	63.8	2.51	58.0	2.28	62.0	2.44	46.0	1.81	61	2.40	12	0.47	21.8	0.86

THREAD NOMENCLATURE

- UN = Basic Unified National thread series
- UNEF = Unified National Extra Fine thread series

90° Backshell



Order Number	Size	D max.		N1 Thread (Inches)	N2 Thread (Inches)	H max.	
		mm	in.			mm	in.
BEN14-AC	14	24.0	0.94	3/4"-20 UNEF 2B	3/4"-20 UNEF 2A	27.0	1.06
BEN16-AC	16	27.0	1.06	7/8"-20 UNEF 2B	7/8"-20 UNEF 2A	29.0	1.14
BEN18-AC	18	30.0	1.18	1"-20 UNEF 2B	1"-20 UNEF 2A	31.0	1.22
BEN20-AC	20	32.0	1.26	1-1/8"-18 UNEF 2B	1-3/16"-18 UNEF 2A	33.0	1.30
BEN22-AC	22	37.0	1.46	1-1/4"-18 UNEF 2B	1-3/16"-18 UNEF 2A	35.0	1.38
BEN24-AC	24	40.0	1.57	1-3/8"-18 UNEF 2B	1-7/16"-18 UNEF 2A	38.0	1.50
BEN28-AC	28	45.0	1.77	1-5/8"-18 UNEF 2B	1-7/16"-18 UNEF 2A	40.0	1.57
BEN32-AC	32	52.0	2.05	1-7/8"-16 UN 2B	1-3/4"-18 UNS 2A	46.0	1.81
BEN36-AC	36	58.0	2.28	2-1/16"-16 UN 2B	2"-18 UNS 2A	49.0	1.93
BEN40-AC	40	64.0	2.52	2-5/16"-16 UN 2B	2-1/4"-16 UNS 2A	53.0	2.09

THREAD NOMENCLATURE

- UN = Basic Unified National thread series
- UNEF = Unified National Extra Fine thread series

* For epoxy-polyurethan black part number ends in [AC]
For zinc cobalt black [AA]

Shell material:

- A - Aluminum Alloy
- B - Copper Alloy
- C - Stainless Steel

Surface treatment:

- A - Black Zinc-Cobalt
- C - Black Polyurethane Varnished
- E - Electro less Nickel

Mechanical Properties

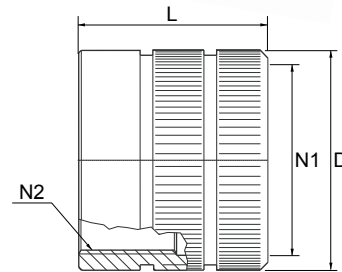
Surface Code	A*	C*	E
Material	aluminium alloy		
Surface treatment	zinc-cobalt	epoxy-polyurethan	electroless nickel
Type of surface	passivated	varnished	-
Surface colour	black	black	blank
Thickness of surface treatment	12 –15 µm	13 –16 µm	12 –15 µm
Conformity of RoHS	yes	yes	yes
Corrosion resistance ¹⁾	200 h	500 h	48 h ⁴⁾
Operating temperature	-55 to +90°C	-55 to +125°C	-55 to +125°C
Temperature shock ²⁾	-55 to +125°C	-55 to +125°C	-55 to +125°C
Electical conductivity ³⁾	< 0.5 mΩ	non conductive	< 0.5 mΩ

¹⁾Verification acc. to MIL 1344A Test 1001.1 ²⁾Verification acc. to MIL 202F Method 107G

³⁾Verification acc. to MIL 1344A Test 3007 (Electrical conductivity: Screen-Plug-Receptacle-Panel)

⁴⁾Only for special Aluminum-Alloy with surface free of pores * According to GIMOTA preferences

Standard Straight Backshell w/ Internal Thread



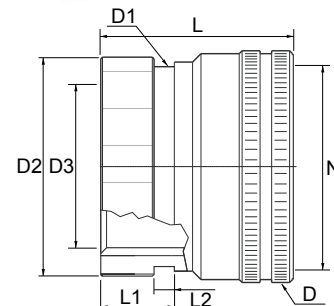
Order Number PG	Order Number M	Size	D _{max.}		N1 Thread (Inches)	L _{max.}		N2 PG Thread	N2 M Thread
			mm	in.		mm	in.		
BSN14-P2B-AC	BSN14-M2B-AC	14	24.0	0.94	3/4"-20 UNEF 2B	26	1.02	9	16
BSN16-P3B-AC	BSN16-M3B-AC	16	27.0	1.06	7/8"-20 UNEF 2B	29	1.14	13.5	20
BSN18-P4B-AC	BSN18-M3B-AC	18	30.0	1.18	1"-20 UNEF 2B	31	1.22	16	20
-	BSN20-M4B-AC	20	32.0	1.26	1-1/8"-18 UNEF 2B	33	1.30	-	25
BSN22-P5B-AC	-	22	37.0	1.46	1-1/4"-18 UNEF 2B	35	1.38	21	-
BSN24-P5B-AC	BSN24-M5B-AC	24	40.0	1.57	1-3/8"-18 UNEF 2B	38	1.50	21	32
BSN28-P6B-AC	BSN28-M5B-AC	28	45.0	1.77	1-5/8"-18 UNEF 2B	40	1.57	21	32
-	BSN32-M6B-AC	32	52.0	2.05	1-7/8"-16 UN 2B	46	1.81	-	40
BSN36-P8B-AC	-	36	58.0	2.28	2-1/16"-16 UN 2B	49	1.93	36	-
BSN40-P9B-AC	-	40	64.0	2.52	2-5/16"-16 UN 2B	53	2.09	48	-

THREAD NOMENCLATURE

UN = Basic Unified National thread series
UNEF = Unified National Extra Fine thread series

* For epoxy-polyurethan black part number ends in [AC]
For zinc cobalt black [AA]

Backshell w/ Groove for heatshrinkable shapes



Order Number	Size	N Thread (Inches)	D _{max.}		D1 ±0.1		D2 ±0.3		D3 ±0.1		L _{max.}		L1 ±0.1		L2 ±0.1	
			mm	in.	mm	in.	mm	in.	mm	in.	mm	in.	mm	in.	mm	in.
BSH10-AC	10	5/8"-24 UNEF 2B	20.0	0.79	13.3	0.52	15.5	0.61	7.9	0.31	18	0.71	11.7	0.46	3.5	0.14
BSH14-AC	14	3/4"-20 UNEF 2B	24.0	0.94	17.0	0.67	19.1	0.75	10.8	0.43	18	0.71	11.7	0.46	3.5	0.14
BSH16-AC	16	7/8"-20 UNEF 2B	27.0	1.06	21.9	0.86	23.9	0.94	13.7	0.54	30	1.18	11.7	0.46	3.5	0.14
BSH18-AC	18	1"-20 UNEF 2B	30.0	1.18	21.9	0.86	23.9	0.94	14.8	0.58	35	1.38	11.7	0.46	3.5	0.14
BSH20-AC	20	1-1/8"-18 UNEF 2B	32.0	1.26	26.2	1.03	29.6	1.17	18.9	0.74	35	1.38	12.4	0.49	3.5	0.14
BSH22-AC	22	1-1/4"-18 UNEF 2B	37.0	1.46	26.2	1.03	29.6	1.17	21.0	0.83	35	1.38	12.4	0.49	3.5	0.14
BSH24-AC	24	1-3/8"-18 UNEF 2B	40.0	1.57	34.5	1.36	37.8	1.49	24.8	0.98	35	1.38	12.7	0.50	3.5	0.14
BSH28-AC	28	1-5/8"-18 UNEF 2B	45.0	1.77	34.5	1.36	37.8	1.49	27.2	1.07	35	1.38	12.7	0.50	3.5	0.14
BSH32-AC	32	1-7/8"-16 UN 2B	52.0	2.05	43.6	1.72	47.8	1.88	33.5	1.32	40	1.57	15.2	0.60	3.5	0.14
BSH36-AC	36	2-1/16"-16 UN 2B	58.0	2.28	43.6	1.72	47.8	1.88	38.7	1.52	45	1.77	15.2	0.60	3.5	0.14
BSH40-AC	40	2-5/16"-16 UN 2B	64.0	2.52	52.6	2.07	57.8	2.28	48.2	1.90	45	1.77	15.2	0.60	3.5	0.14

THREAD NOMENCLATURE

UN = Basic Unified National thread series
UNEF = Unified National Extra Fine thread series

* For epoxy-polyurethan black part number ends in [AC]
For zinc cobalt black [AA]

Shell material:

- A - Aluminum Alloy
- B - Copper Alloy
- C - Stainless Steel

Surface treatment:

- A - Black Zinc-Cobalt
- C - Black Polyurethane Varnished
- E - Electro less Nickel

Mechanical Properties

Surface Code	A*	C*	E
Material	aluminium alloy		
Surface treatment	zinc-cobalt	epoxy-polyurethan	electroless nickel
Type of surface	passivated	varnished	-
Surface colour	black	black	blank
Thickness of surface treatment	12 –15 µm	13 –16 µm	12 –15 µm
Conformity of RoHS	yes	yes	yes
Corrosion resistance ¹⁾	200 h	500 h	48 h ⁴⁾
Operating temperature	-55 to +90°C	-55 to +125°C	-55 to +125°C
Temperature shock ²⁾	-55 to +125°C	-55 to +125°C	-55 to +125°C
Electical conductivity ³⁾	< 0.5 mΩ	non conductive	< 0.5 mΩ

¹⁾Verification acc. to MIL 1344A Test 1001.1 ²⁾Verification acc. to MIL 202F Method 107G

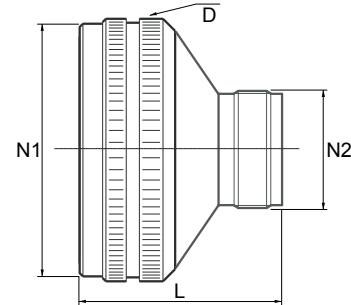
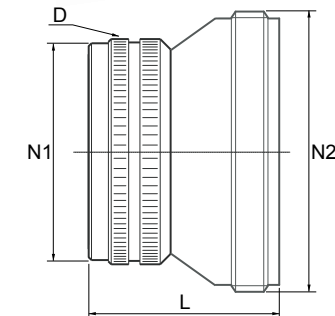
³⁾Verification acc. to MIL 1344A Test 3007 (Electrical conductivity: Screen-Plug-Receptacle-Panel)

⁴⁾Only for special Aluminum-Alloy with surface free of pores * According to GIMOTA preferences

Order Number	Size N1	Size N2	D _{±0.5mm}		N1 Thread (Inches)	N2 Thread (Inches)	L _{±0.5mm}	
			mm	in.			mm	in.
BSR18-16-AC	18	16	29.0	1.14	1"-20 UNEF 2B	7/8"-20 UNEF 2A	50.0	1.97
BSR24-18-AC	24	18	40.0	1.57	1-3/8"-18 UNEF 2B	1"-20 UNEF 2A	40.0	1.57
BSR32-18-AC	32	18	52.5	2.07	1-7/8"-16 UN 2B	1"-20 UNEF 2A	56.0	2.20
BSR36-18-AC	36	18	60.5	2.38	2-1/16"-16 UN 2B	1"-20 UNEF 2A	60.0	2.36
BSR40-32-AC	40	32	65.0	2.56	2-5/16"-16 UN 2B	1-3/4"-18 UNS 2A	52.0	2.05
BSR40-36-AC	40	36	66.0	2.60	2-5/16"-16 UN 2B	2"-18 UNS 2A	65.0	2.56

THREAD NOMENCLATURE

- UN = Basic Unified National thread series
- UNS = Special Unified National thread series
- UNEF = Unified National Extra Fine thread series

Reducer Backshell

Enlarger Backshell


Order Number	Size N1	Size N2	D _{±0.5mm}		N1 Thread (Inches)	N2 Thread (Inches)	L _{±0.5mm}	
			mm	in.			mm	in.
BSE18-24-AC	18	24	32.0	1.26	1"-20 UNEF 2B	1-7/16"-18 UNEF 2A	33.5	1.32
BSE24-32-AC	24	32	40.0	1.57	1-3/8"-18 UNEF 2B	1-3/4"-18 UNEF 2A	42.0	1.65
BSE32-36-AC	32	36	56.0	2.20	1-7/8"-16 UN 2B	2"-18 UNS 2A	35.0	1.38
BSE36-40-AC	36	40	60.0	2.36	2-1/16"-16 UN 2B	1-1/4"-16 UN 2A	35.0	1.38

THREAD NOMENCLATURE

- UN = Basic Unified National thread series
- UNS = Special Unified National thread series
- UNEF = Unified National Extra Fine thread series